



**⚠ READ THIS MANUAL CAREFULLY!**  
It contains important safety information.

**OWNER'S MANUAL**



**YXZ10YPXG**

**2HC-F8199-7L**



**Read this manual carefully before operating this vehicle. This manual should stay with this vehicle if it is sold.**

## **EC Declaration of Conformity**

conforming to Directive 2006/42/EC

**We, YAMAHA MOTOR CO., LTD. 2500 Shingai, Iwata, Japan,  
declare in sole responsibility, that the product**

**YXZ1000E (YXZ10YPXG) (5Y4AN06W0F0500101-)**

(Make, model)

**to which this declaration applies, conforms to the essential health  
and safety requirements of Directive 2006/42/EC**

(If applicable)

**and to the other relevant Directives of EEC**

**2004/108/EC**

(Title and/or number and date of issue of the other Directives of EEC)

(If applicable)

**To effect correct application of the essential health and safety requirements  
stated in the Directives of EEC, the following-standards and/or technical  
specifications were consulted:**

**ANSI ROHVA1 - 2011**

(Title and/or number and date of issue of standards and/or specifications)

### **Manufacturer**

YAMAHA MOTOR MANUFACTURING CORPORATION OF AMERICA  
1000 GA Highway 34 East, Newnan, Georgia 30265-1320, U.S.A.

### **Authorized Representative**

YAMAHA MOTOR EUROPE N.V.  
Koolhovenlaan 101, 1119 NC Schiphol-Rijk, The Netherlands

Signature

Akihiro Suzuki

General Manager

RV Engineering Division

Recreational Vehicle Business Unit

Business Development Operations

YAMAHA MOTOR CO., LTD.

Date of Issue

28, September, 2015

# INTRODUCTION

Congratulations on your purchase of the Yamaha YXZ10YPXG. It represents the result of many years of Yamaha experience in the production of fine sporting, touring, and pace-setting racing vehicles. With the purchase of this Yamaha, you can now appreciate the high degree of craftsmanship and reliability that have made Yamaha a leader in these fields.

This manual will provide you with a good basic understanding of the features and operation of this vehicle. It also includes basic maintenance and inspection procedures. If you have any questions regarding the operation or maintenance of your vehicle, please consult a Yamaha dealer.



---




**Please read this manual carefully before operating this vehicle. Do not attempt to operate this vehicle until you have attained adequate knowledge of its controls and operating features. Regular inspections and careful maintenance, along with good operating techniques, will help ensure that you safely enjoy the capabilities and reliability of this vehicle.**

---

## IMPORTANT MANUAL INFORMATION

FAILURE TO FOLLOW THE WARNINGS CONTAINED IN THIS MANUAL CAN RESULT IN SERIOUS INJURY OR DEATH.

Particularly important information is distinguished in this manual by the following notations:

	<b>This is the safety alert symbol. It is used to alert you to potential personal injury hazards. Obey all safety messages that follow this symbol to avoid possible injury or death.</b>
	<b>A WARNING indicates a hazardous situation which, if not avoided, could result in death or serious injury.</b>
	<b>A NOTICE indicates special precautions that must be taken to avoid damage to the vehicle or other property.</b>
<b>TIP</b>	A TIP provides key information to make procedures easier or clearer.

\* Product and specifications are subject to change without notice.

## IMPORTANT NOTE ABOUT USE

- **This vehicle is designed and manufactured for use on UNPAVED surfaces only, for sport-type recreational use by experienced operators. It is unsafe to operate this vehicle on any paved surface, paved street, paved road or motorway.**
- **Check the laws and regulations in force before choosing where to operate this vehicle. It is illegal to operate this vehicle on public lands where vehicles its size are prohibited.**

**YXZ10YPXG  
OWNER'S MANUAL  
©2015 by Yamaha Motor Co., Ltd.  
1st edition, September 2015  
All rights reserved.  
Any reprinting or unauthorized use  
without the written permission of  
Yamaha Motor Co., Ltd.  
is expressly prohibited.  
Printed in U.S.A.**

# CONTENTS

LOCATION OF THE WARNING AND SPECIFICATION LABELS .....	1-1	Brake pedal .....	4-17
SAFETY INFORMATION .....	2-1	Parking brake lever .....	4-18
DESCRIPTION.....	3-1	Shift lever .....	4-19
Left view .....	3-1	Fuel tank cap.....	4-19
Right view.....	3-2	Doors.....	4-20
Controls and instruments.....	3-3	Seats .....	4-20
INSTRUMENT AND CONTROL FUNCTIONS.....	4-1	Adjusting the driver seat position.....	4-22
Main switch .....	4-1	Adjusting the steering wheel position.....	4-22
Indicator lights and warning lights .....	4-2	Seat belts .....	4-23
Multi-function meter unit .....	4-6	Glove compartment .....	4-23
Light switch .....	4-15	Storage compartments .....	4-24
On-Command drive knob		Cup holders.....	4-26
“2WD/4WD/DIFF LOCK” .....	4-15	Cargo bed .....	4-27
Reverse gear lock lever “REV.” .....	4-16	Flag pole bracket .....	4-28
Accelerator pedal .....	4-16	Adjusting the front shock absorber assemblies .....	4-28
Clutch pedal .....	4-17	Adjusting the rear shock absorber assemblies .....	4-33
		Auxiliary DC jack .....	4-38

## FOR YOUR SAFETY –

PRE-OPERATION CHECKS .....	5-1
Front and rear brakes .....	5-3
Clutch .....	5-3
Fuel .....	5-4
Engine oil .....	5-5
Transmission .....	5-6
Coolant .....	5-6
Final gear .....	5-6
Differential gear .....	5-7
Accelerator pedal .....	5-7
Seat belts .....	5-7
Passenger handhold .....	5-7
Steering .....	5-7
Shift lever .....	5-8
Fittings and fasteners .....	5-8
Instruments, lights and switches .....	5-8
Control cables .....	5-8
Tires .....	5-8
OPERATION .....	6-1
Engine break-in .....	6-1
Starting the engine .....	6-2

Shift lever operation and reverse driving .....	6-3
Selecting the drive mode .....	6-7
Parking .....	6-9
Loading .....	6-9

BASIC GUIDE FOR SAFE USE .....	7-1
KNOW YOUR VEHICLE .....	7-1
LEARNING TO OPERATE YOUR VEHICLE .....	7-12

PERIODIC MAINTENANCE AND ADJUSTMENT .....	8-1
Owner's manual and tool kit .....	8-2
Periodic maintenance chart for the emission control system .....	8-4
General maintenance and lubrication chart .....	8-6
Hood .....	8-10
Panels .....	8-10
Engine oil and oil filter .....	8-15
Transmission oil .....	8-25
Final gear oil .....	8-28

Differential gear oil .....	8-30	Pedal lubrication.....	8-51
Coolant.....	8-33	Checking the stabilizer bushes.....	8-51
Axle boots .....	8-34	Upper and lower arm pivot	
Checking the spark plugs .....	8-35	lubrication (left and right) .....	8-52
Air filter maintenance.....	8-37	Rear knuckle upper and lower pivot	
Cleaning the air filter case check		lubrication (left and right) .....	8-53
hoses.....	8-41	Drive shaft universal joint	
Cleaning the spark arrester .....	8-42	lubrication .....	8-53
Valve clearance .....	8-43	Steering shaft lubrication.....	8-53
Brakes .....	8-43	Wheel removal .....	8-54
Checking the front and rear brake		Tire replacement.....	8-54
pads.....	8-44	Wheel installation.....	8-55
Checking the parking brake pads .....	8-44	Battery .....	8-55
Checking the brake and clutch fluid		Jump-starting .....	8-59
levels.....	8-45	Fuse replacement .....	8-60
Brake and clutch fluid replacement ...	8-47	Headlights.....	8-62
Checking the clutch pedal .....	8-47	Headlight beam adjustment .....	8-63
Checking the brake pedal .....	8-47	Tail/brake light .....	8-63
Checking the accelerator pedal .....	8-48	Troubleshooting.....	8-63
Parking brake lever free play		Troubleshooting charts.....	8-65
adjustment.....	8-49		
Brake light switch adjustment.....	8-50	CLEANING AND STORAGE .....	9-1
Cable inspection and lubrication.....	8-50	Cleaning.....	9-1



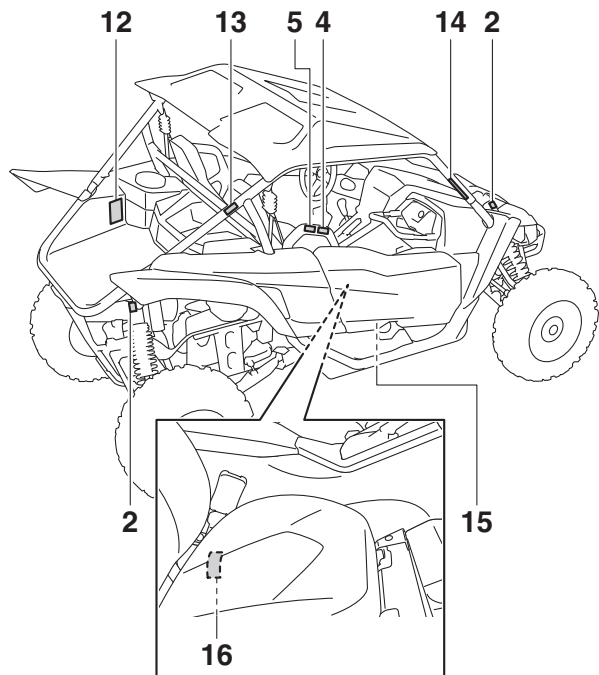
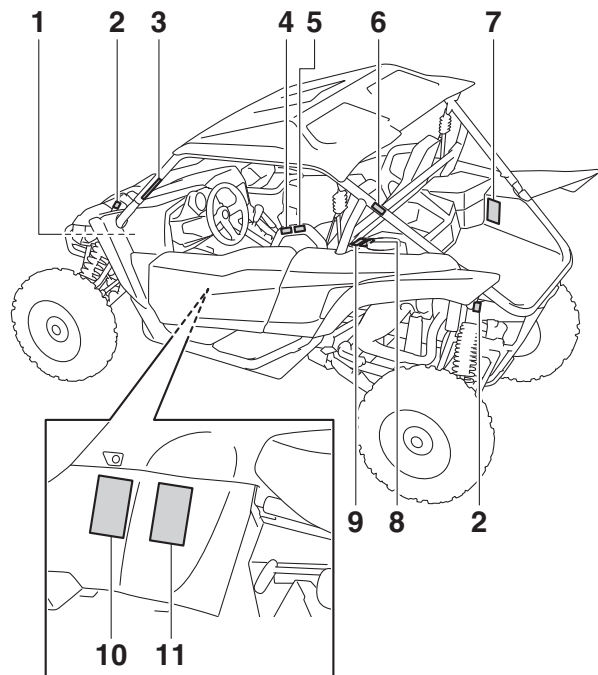
Storage.....	9-2
SPECIFICATIONS .....	10-1
CONSUMER INFORMATION .....	11-1
Identification number records .....	11-1
INDEX.....	12-1

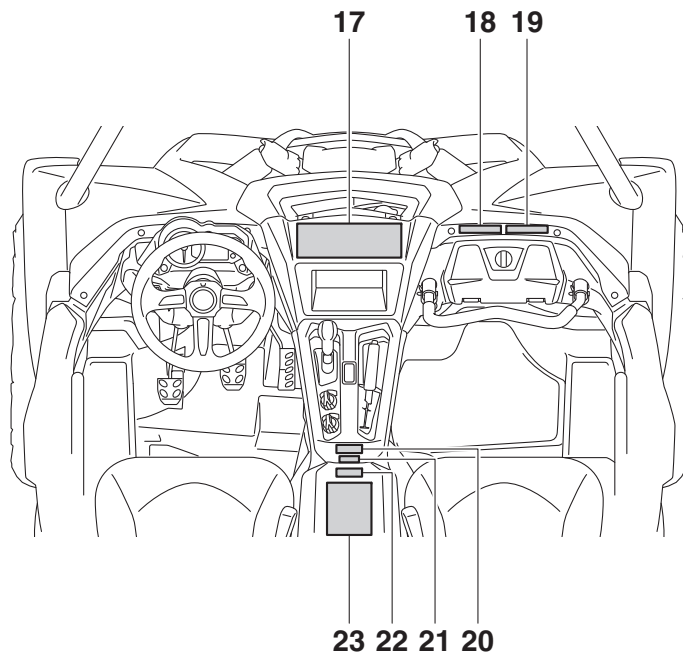
# LOCATION OF THE WARNING AND SPECIFICATION LABELS

Read and understand all of the labels on your vehicle. They contain important information for safe and proper operation of your vehicle.

Never remove any labels from your vehicle. If a label becomes difficult to read or comes off, a replacement label is available from your Yamaha dealer.

# For Europe





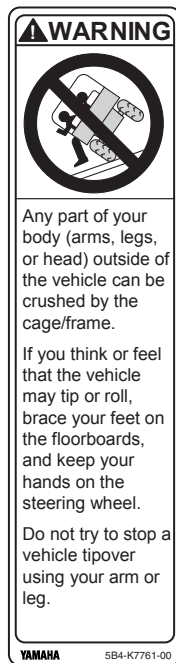
1



2



3



1

4

**⚠ WARNING**

Do not rest hands or arms on door or shoulder bolster.  
To avoid Injury, keep hands and arms completely  
Inside the vehicle by holding the steering wheel or handhold.

YAMAHA

1XD-K8483-00

5

**⚠ AVERTISSEMENT**

Ne pas appuyer les mains ni les bras sur la portière ou sur le coussin de l'épaule. Afin de prévenir les blessures, garder mains et bras dans l'habitacle et agripper le volant ou la poignée de maintien.

YAMAHA

1XD-K8483-10

6

**⚠ AVERTISSEMENT**

Toute partie du corps (bras, jambes, tête) se trouvant hors de l'habitacle risque d'être écrasée par l'arceau de protection.

Si une roulade ou un capotage semble imminent, caler les pieds sur le plancher ou sur les repose-pieds et agripper le volant ou la poignée de maintien. Ne jamais agripper l'arceau de protection.

Ne jamais tenter d'empêcher un capotage à l'aide du bras ou de la jambe.

YAMAHA

1XD-K7761-10

7

## ⚠ AVERTISSEMENT

Aucun passager  
dans la caisse de  
chargement



Le mauvais usage de la caisse de chargement ou de l'arceau de protection peut provoquer de graves blessures ou la mort par suite d'une perte de contrôle, d'un capotage ou d'un accident quelconque.

Charge maximale dans la caisse : 136 kg (300 lbs)  
Charge maximale du véhicule : 326 kg (719 lbs)

La charge peut affecter la maniabilité et la stabilité du véhicule.

- Ne pas dépasser la capacité de charge maximale pour la benne ou le véhicule.
- Arrimer solidement toute charge – un article mal arrimé pourrait nuire soudainement à la maniabilité ou être projeté vers l'avant et heurter un occupant.
- Répartir le poids de la charge de façon équilibrée et le plus bas possible dans la caisse; une charge mal équilibrée augmente le risque de capotage.

Lors du transport d'une charge :

- Réduire la vitesse et prévoir une distance de freinage accrue.
- Négocier les virages progressivement et lentement.
- Éviter les pentes et les terrains accidentés.

Lire le manuel du propriétaire avant de charger la benne.

YAMAHA

2HC-F4897-12

8

## ⚠ AVERTISSEMENT

- Les vapeurs d'essence peuvent provoquer un incendie ou une explosion.  
Afin d'éviter tout risque de blessure corporelle, voire mortelle, ne jamais stocker de carburant ni de liquide inflammable dans ce compartiment de rangement.
- La charge ne doit pas excéder 4.5 kg (10 lbs).

1XP-F151F-10

9

## ⚠ WARNING

- Fuel vapors can be a fire or explosion hazard.  
To avoid injury or death, never store fuel or flammable liquids in this storage compartment.
- Storage should not exceed 10 lbs (4.5 kg)

1XP-F151F-00

1

## 10

## **⚠ AVERTISSEMENT**

- Une pression de gonflage incorrecte des pneus ou la surcharge du véhicule risquent de provoquer une perte de contrôle ou un capotage, entraînant des blessures, voire la mort.
- Ne jamais régler la pression de gonflage ni la laisser baisser sous le seuil minimal; le pneu risque de se déjanter.

PRESSION DE SERVICE DES PNEUS : Régler les pneus à froid.

- CHARGE DU VÉHICULE : de 0 kg (0 lbs) à 195 kg (430 lbs)  
Recommandation: AVANT: 114 kPa (16.5 psi)  
ARRIÈRE: 128 kPa (18.5 psi)  
Minimum: AVANT: 110 kPa (16 psi)  
ARRIÈRE: 124 kPa (18 psi)
- CHARGE DU VÉHICULE : de 195 kg (430 lbs) à 326 kg (719 lbs)  
Recommandation: AVANT: 114 kPa (16.5 psi)  
ARRIÈRE: 169 kPa (24.5 psi)  
Minimum: AVANT: 110 kPa (16 psi)  
ARRIÈRE: 165 kPa (24 psi)

\* La charge du véhicule comprend le poids du pilote, du passager, des accessoires et la charge. Ne pas dépasser la charge maximale du véhicule.

Poids nominal brut du véhicule : 1025 kg (2260 lbs) maximum (véhicule, poids du pilote, du passager, des accessoires et charge).

## 11

## **⚠ WARNING**

- Improper tire pressure or overloading this vehicle may cause severe injury or death from loss of control or rollover.
- Never set or allow tire pressure to be below the minimum. Tire may dislodge from rim.

OPERATING TIRE PRESSURE: With tires cold, set as follows.

- VEHICLE LOAD of 0 kg (0 lb) ~ 195 kg (430 lbs)  
Recommended: FRONT: 114 kPa (16.5 psi)  
REAR: 128 kPa (18.5 psi)  
Minimum: FRONT: 110 kPa (16 psi)  
REAR: 124 kPa (18 psi)
- VEHICLE LOAD of 195 kg (430 lbs) ~ 326 kg (719 lbs)  
Recommended: FRONT: 114 kPa (16.5 psi)  
REAR: 169 kPa (24.5 psi)  
Minimum: FRONT: 110 kPa (16 psi)  
REAR: 165 kPa (24 psi)

\* Vehicle load is weight of operator, passenger, accessories, and cargo. Do not exceed maximum vehicle load.

Gross Vehicle Weight Rating: 1025 kg (2260 lbs) maximum including vehicle, weight of operator, passenger, accessories, and cargo.



12

## ⚠ WARNING

Improper use of cargo bed or cage/frame can result in severe injury or death from loss of control, overturn or other accidents.

Never carry passengers in cargo bed.



Maximum Load in Cargo Bed: 300 lbs (136 kg)

Maximum Vehicle Load: 719 lbs (326 kg)

- Load may affect handling and stability.
  - Do not exceed the maximum load ratings for the cargo bed, or vehicle.
  - Secure cargo so that it will not shift - a loose load could change handling unexpectedly or be thrown forward and strike occupants.
  - Keep weight in the cargo bed centered side to side and as low as possible. Top-heavy loads increase the risk of a rollover.
- When loaded with cargo:
  - Reduce speed and allow more room to stop.
  - Turn gradually and slowly.
  - Avoid hills and rough terrain.
- Read Owner's Manual before loading cargo bed.

YAMAHA

2HC-F4897-02

13

## ⚠ AVERTISSEMENT



Toute partie du corps (bras, jambes, tête) se trouvant hors de l'habitacle risque d'être écrasée par l'arceau de protection.

Si une roulade ou un capotage semble imminent, caler les pieds sur le plancher ou sur les repose-pieds et agripper le volant ou la poignée de maintien. Ne jamais agripper l'arceau de protection.

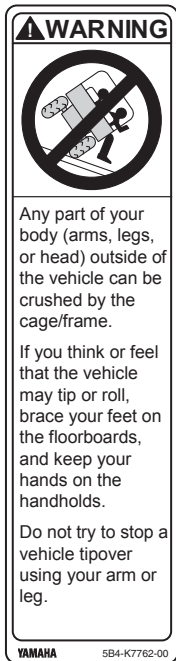
Ne jamais tenter d'empêcher un capotage à l'aide du bras ou de la jambe.

YAMAHA

1XD-K7762-10

1

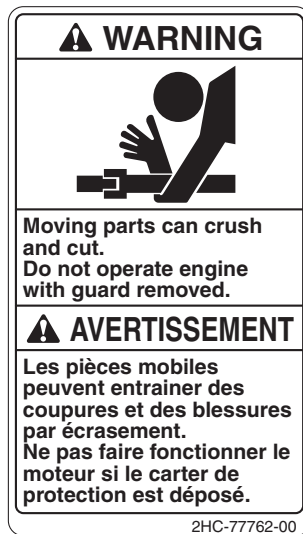
14



15



16



17

## ⚠ WARNING

Improper Use of Off-Highway Vehicle Can Cause Severe Injury or Death



**Be Prepared**

- Fasten seat belts.
- Wear an approved helmet, eye protection and protective gear.
- Driver must be able to comfortably reach all controls while sitting upright with back against seat.
- Passenger must be able to reach the handhold while keeping feet flat on floor and sitting upright with back against seat.
- Stay completely inside the vehicle.

**Drive Responsibly**

**Avoid loss of control and rollovers:**

- Avoid abrupt maneuvers, sideways sliding, skidding, or fishtailing, and never do donuts.
- Slow down before entering a turn.
- Avoid hard acceleration when turning, even from a stop.
- Plan for hills, rough terrain, ruts, and other changes in traction and terrain. Avoid paved surfaces.
- Avoid side hilling (riding across slopes).
- Do not allow anyone to ride in the cargo bed.

**Pay Attention and Plan Ahead**

If you think or feel the vehicle may tip or roll, reduce your risk to injury:

- Keep a firm grip on the steering wheel or handhold and brace yourself.
- Do not put any part of your body outside of the vehicle for any reason.


**Require Proper Use of Your Vehicle**

Do your part to prevent injuries:

- Do not allow careless or reckless driving.
- Make sure operators are 16 or older with valid driver's license.
- Do not let people drive or ride after using alcohol or drugs.
- Do not allow operation on public roads (unless designated for off-highway vehicle access)
  - collisions with cars and trucks can occur.
- Do not exceed seating capacity: 1 passenger.

Rollovers have caused severe injuries and death, even on flat, open areas.

Read Owner's Manual  
Read Tips Guide for the Recreational Off-Highway Vehicle Driver  
Follow All Instruction and Warnings



YAMAHA
2MB-F1568-00

18

**Be Prepared**  
Adjust, lock and never remove handhold.  
Always use handhold, Never hold cage.  
Always wear seatbelt and helmet.

1XD-F8446-00

19

Toujours prévoir l'imprévu.  
Régler et verrouiller la poignée de maintien; ne jamais la retirer.  
Toujours agripper la poignée de maintien, non l'arceau de protection.  
Toujours porter la ceinture de sécurité et un casque approprié.

1XD-F8446-10

20

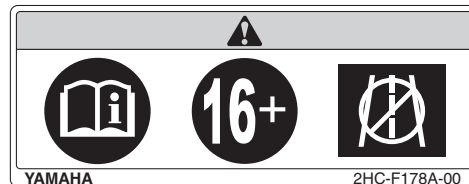
### Liste de vérification de sécurité intégrale

- ✓ **Tête** Casque et protection des yeux
- ✓ **Corps** Ceinture de sécurité et vêtements de protection
- ✓ **Mains** À l'intérieur du véhicule, tenant la poignée de maintien ou le volant.
- ✓ **Pieds** Sur le plancher ou les repose-pieds, prêts à encaisser le choc; portière fermée.

YAMAHA

TXD-F1558-10

21



22

### Head to Toe Safety Checklist

- ✓ **Head** Helmet and eye protection.
- ✓ **Body** Seatbelt and protective clothing.
- ✓ **Hands** Inside vehicle and holding the handhold or steering wheel.
- ✓ **Feet** On floor or footrests, ready to brace, and door closed.

YAMAHA

TXD-F1558-00

## AVERTISSEMENT

L'utilisation négligente d'un véhicule hors route peut causer de graves blessures, voire la mort.

### Être préparé

- Attacher la ceinture de sécurité.
- Porter un casque homologué, une protection pour les yeux et une tenue de protection.
- Le conducteur doit pouvoir rejoindre aisément toutes les commandes alors qu'il est en position assise, son dos contre le dossier du siège.
- Les occupants doivent pouvoir rejoindre la poignée de maintien centrale alors que leurs pieds reposent à plat sur le plancher et qu'ils sont assis le dos contre le dossier du siège.
- Demeurer entièrement dans l'habitacle du véhicule.



### Conduire de façon responsable

Prévenir la perte de contrôle ou les roulades :

- Éviter les manœuvres subites, glissements latéraux, dérapages, queues de poisson et zigzags; ne jamais tenter d'acrobaties.
- Ralentir avant d'entamer un virage.
- Éviter d'accélérer brusquement dans les virages, même à partir de l'arrêt.
- Être prêt pour pentes, terrains inhospitaliers, ornières, aspérités du terrain et autres facteurs réduisant la traction. Éviter les surfaces asphaltées.
- Ne pas conduire sur le flanc des pentes.
- Ne permettre à personne de prendre place dans la caisse de chargement.



Les roulades ont déjà causé des blessures graves et la mort, même sur terrain plat et sans obstacles.

### Être prévoyant, être prêt

Si une roulade ou un capotage semble imminent, réduire le risque de blessures :

- Agripper fermement le volant ou la poignée de maintien et se préparer à encaisser le choc.
- Ne mettre aucune partie du corps hors du véhicule, pour quelque raison que ce soit.

### Utilisation vigilante du véhicule

Faire sa part pour prévenir les blessures :

- Ne pas permettre la conduite acrobatique ou imprudente.
- S'assurer que le conducteur est âgé d'au moins 16 ans et qu'il est titulaire d'un permis de conduire valide.
- Ne permettre à personne de conduire le véhicule ou d'y prendre place après avoir consommé alcool ou drogues.
- Ne pas permettre la conduite du véhicule sur les chemins publics (à moins que les véhicules hors route y soient autorisés) – les collisions avec voitures et camions arrivent en un clin d'œil.
- Ne pas dépasser le nombre de places disponibles : 1 passager.



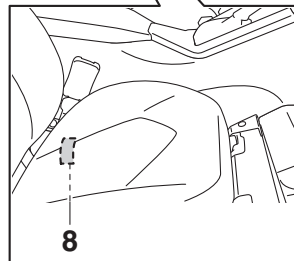
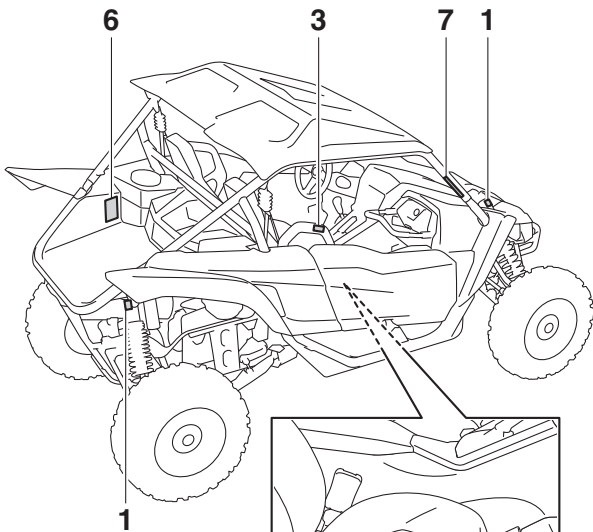
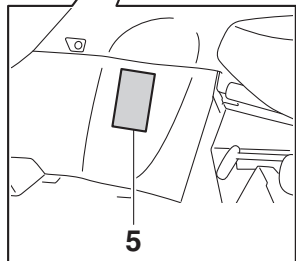
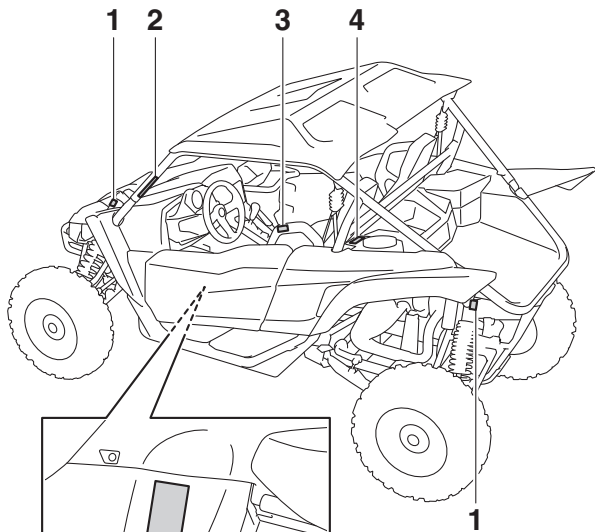
Lire le Manuel du propriétaire.

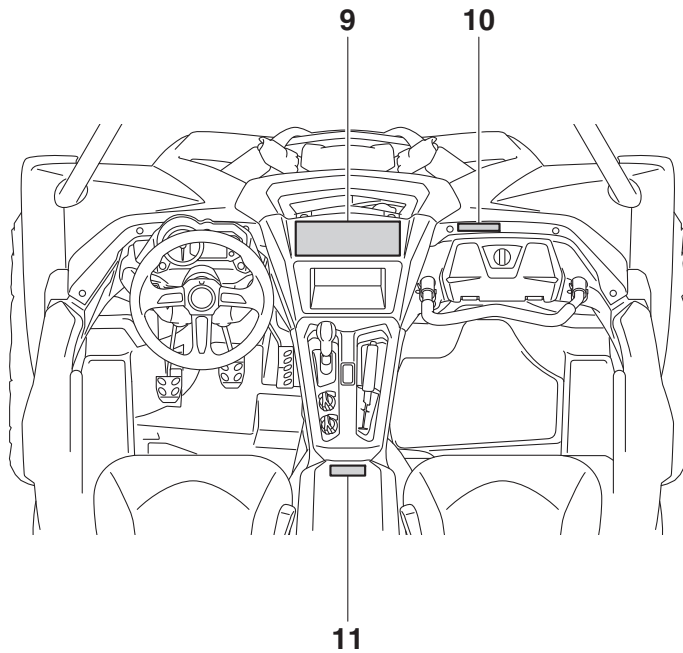
Lire le Guide de conseils à l'intention du conducteur du véhicule récréatif hors route.

Suivre toutes les directives et tous les avertissements.

# For Oceania

1



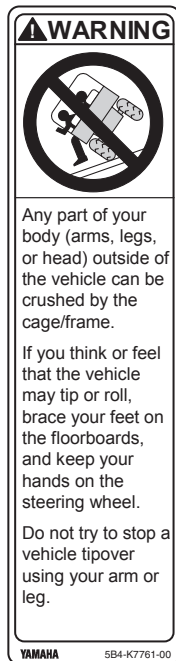


1

1



2



Any part of your body (arms, legs, or head) outside of the vehicle can be crushed by the cage/frame.

If you think or feel that the vehicle may tip or roll, brace your feet on the floorboards, and keep your hands on the steering wheel.

Do not try to stop a vehicle tipover using your arm or leg.

YAMAHA

5B4-K7761-00



3

**⚠ WARNING**

Do not rest hands or arms on door or shoulder bolster.  
To avoid injury, keep hands and arms completely  
inside the vehicle by holding the steering wheel or handhold.

YAMAHA

1XD-K8483-00

4

**⚠ WARNING**

- **Fuel vapors can be a fire or explosion hazard. To avoid injury or death, never store fuel or flammable liquids in this storage compartment.**
- **Storage should not exceed 10 lbs (4.5 kg)**

1XP-F151F-00

5

**⚠ WARNING**

- Improper tire pressure or overloading this vehicle may cause severe injury or death from loss of control or rollover.
- Never set or allow tire pressure to be below the minimum. Tire may dislodge from rim.

OPERATING TIRE PRESSURE: With tires cold, set as follows.

- **VEHICLE LOAD** of 0 kg (0 lb) ~ 195 kg (430 lbs)  
Recommended: FRONT: 114 kPa (16.5 psi)  
REAR: 128 kPa (18.5 psi)  
Minimum: FRONT: 110 kPa (16 psi)  
REAR: 124 kPa (18 psi)

- **VEHICLE LOAD** of 195 kg (430 lbs) ~ 326 kg (719 lbs)  
Recommended: FRONT: 114 kPa (16.5 psi)  
REAR: 169 kPa (24.5 psi)  
Minimum: FRONT: 110 kPa (16 psi)  
REAR: 165 kPa (24 psi)

\* Vehicle load is weight of operator, passenger, accessories, and cargo. Do not exceed maximum vehicle load.

Gross Vehicle Weight Rating: 1025 kg (2260 lbs) maximum including vehicle, weight of operator, passenger, accessories, and cargo.

YAMAHA

2HC-F1696-12

6

## ⚠ WARNING

Improper use of cargo bed or cage/frame can result in severe injury or death from loss of control, overturn or other accidents.

Never carry passengers in cargo bed.



Maximum Load in Cargo Bed: 300 lbs (136 kg)  
Maximum Vehicle Load: 719 lbs (326 kg)

- Load may affect handling and stability.
  - Do not exceed the maximum load ratings for the cargo bed, or vehicle.
  - Secure cargo so that it will not shift - a loose load could change handling unexpectedly or be thrown forward and strike occupants.
  - Keep weight in the cargo bed centered side to side and as low as possible. Top-heavy loads increase the risk of a rollover.
- When loaded with cargo:
  - Reduce speed and allow more room to stop.
  - Turn gradually and slowly.
  - Avoid hills and rough terrain.
- Read Owner's Manual before loading cargo bed.

YAMAHA

2HC-F4897-02

7

## ⚠ WARNING



Any part of your body (arms, legs, or head) outside of the vehicle can be crushed by the cage/frame.

If you think or feel that the vehicle may tip or roll, brace your feet on the floorboards, and keep your hands on the handholds.

Do not try to stop a vehicle tipover using your arm or leg.

YAMAHA

5B4-K7762-00

8

## ⚠ WARNING



**Moving parts can crush and cut.  
Do not operate engine with guard removed.**

## ⚠ AVERTISSEMENT

**Les pièces mobiles peuvent entraîner des coupures et des blessures par écrasement.  
Ne pas faire fonctionner le moteur si le carter de protection est déposé.**

2HC-77762-00

## ⚠ WARNING

Improper Use of Off-Highway Vehicle Can Cause Severe Injury or Death

### Be Prepared

- Fasten seat belts.
- Wear an approved helmet, eye protection and protective gear.
- Driver must be able to comfortably reach all controls while sitting upright with back against seat.
- Passenger must be able to reach the handhold while keeping feet flat on floor and sitting upright with back against seat.
- Stay completely inside the vehicle.

### Drive Responsibly

- Avoid loss of control and rollovers:
  - Avoid abrupt maneuvers, sideways sliding, skidding, or fishtailing, and never do donuts.
  - Slow down before entering a turn.
  - Avoid hard acceleration when turning, even from a stop.
- Plan for hills, rough terrain, ruts, and other changes in traction and terrain. Avoid paved surfaces.
- Avoid side hilling (riding across slopes).
- Do not allow anyone to ride in the cargo bed.



Rollovers have caused severe injuries and death, even on flat, open areas.

### Pay Attention and Plan Ahead

- If you think or feel the vehicle may tip or roll, reduce your risk to injury:
- Keep a firm grip on the steering wheel or handhold and brace yourself.
  - Do not put any part of your body outside of the vehicle for any reason.

### Require Proper Use of Your Vehicle

- Do your part to prevent injuries:
- Do not allow careless or reckless driving.
  - Make sure operators are 16 or older with valid driver's license.
  - Do not let people drive or ride after using alcohol or drugs.
  - Do not allow operation on public roads (unless designated for off-highway vehicle access) — collisions with cars and trucks can occur.
  - Do not exceed seating capacity: 1 passenger.



Read Owner's Manual

Read Tips Guide for the Recreational Off-Highway Vehicle Driver  
Follow All Instruction and Warnings

YAMAHA

2MB-F1568-00

## 10

### Be Prepared

Adjust, lock and never remove handhold.  
Always use handhold, Never hold cage.  
Always wear seatbelt and helmet.

1XD-F8446-00

## 11

### Head to Toe Safety Checklist

- ✓ **Head** Helmet and eye protection.
- ✓ **Body** Seatbelt and protective clothing.
- ✓ **Hands** Inside vehicle and holding the handhold or steering wheel.
- ✓ **Feet** On floor or footrests, ready to brace, and door closed.

YAMAHA

1XD-F1558-00



## SAFETY INFORMATION

### **Be a responsible owner**

As the vehicle's owner, you are responsible for the safe and proper operation of your Yamaha YXZ1000R. While understanding all parts of this manual are important for vehicle ownership, be sure to read this chapter and the instructions in Chapter 7 before operating your Yamaha YXZ1000R. Also use these two chapters and the labels on the vehicle to instruct new operators and passengers. Do not allow anyone else to operate your vehicle or ride as a passenger if you are unsure whether he or she is willing and able to follow these instructions.

### **Get to know your vehicle**

This off-road vehicle will handle and maneuver differently from cars, ATVs, go-carts, golf-cars and grounds-keeping vehicles. Follow these instructions to reduce your risk of an accident and to reduce the risk of serious injury or death in the event of an accident.

## Before you operate your Yamaha YXZ1000R

- Prepare yourself and your passenger:
  - This vehicle is intended for use only by an operator 16 or older with a valid motor vehicle license. Check country laws for minimum age requirements.



- This vehicle is designed to carry the driver and one passenger. Never carry passengers in the cargo bed.
- Both driver and passenger should wear seat belts properly.
- Both driver and passenger must be able to put both feet flat on the floorboard while seated upright with their backs against the backrests. Passenger must be able to reach and hold the passenger handhold in front of them.
- Both driver and passenger should wear an approved motorcycle helmet that fits properly. Both driver and passenger should also wear eye protection (goggles or a face shield), gloves, over-the-ankle boots, long-sleeved shirt or jacket, and long pants.

- Do not drive or ride as passenger after using drugs or alcohol.

## **Prepare your vehicle**

2

Perform the pre-operation checks each time you use the vehicle to make sure it is in safe operating condition. Failure to inspect or maintain the vehicle properly increases the possibility of an accident or equipment damage. See page 5-1 for a list of pre-operation checks.

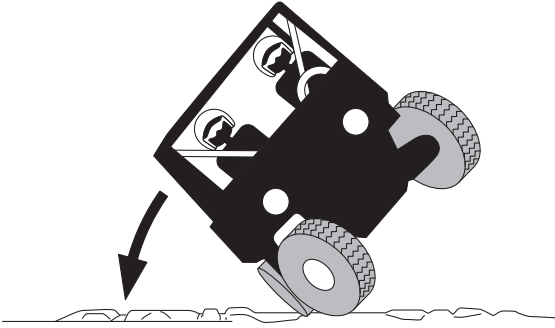
## **Prepare your load**

Carrying heavy or over-sized loads can affect handling, stability, and cause the risk of overturns or other accidents.

- Read “Loading” on page 6-9 before loading the cargo bed.
- Do not overload the vehicle or cargo bed.
- Refer to the labels on the vehicle for specific loading limits and recommended tire air pressure.
- Keep heavier objects and the load in general centered side to side, and as low and as far forward in the cargo bed as possible.
- Secure cargo so that it will not shift – a loose load could change handling unexpectedly or be thrown forward and strike occupants.
- This vehicle is not designed to tow or pull objects. Towing a trailer or pulling another vehicle or other object will affect handling, stability, and increase the risk of overturns and accidents. Towing or pulling can also cause frame and vehicle damage.

## **While using your Yamaha YXZ1000R**

- Keep your body completely inside the vehicle at all times. Keep both hands on the steering wheel except when operating the shift lever. Be sure the passenger is seated, belted, and holding onto the passenger handhold. Close doors before driving. Any part of your body (arms, legs, and head) outside the vehicle can be struck by objects your vehicle is passing or crushed by the vehicle itself in a rollover accident.
- Watch for branches, brush, or other hazards that could enter the vehicle.
- Abrupt maneuvers or aggressive driving, even on flat, open areas, can cause loss of control, including rollovers. The YXZ1000R has higher ground clearance and other features to handle rugged terrain, and, as a result, can overturn in situations where some other vehicles may not.
- Avoid rollovers:
  - Use care when turning:
    - Turning the steering wheel too far or too fast can result in a rollover.
    - Avoid sideways sliding, skidding, or back-wheel sliding, and never do donuts.
    - Slow down before entering a turn and avoid hard braking in a turn.
    - When making tight turns from a stop or at slow speeds, avoid sudden or hard acceleration.



- Drive straight up and down inclines, not across them. If crossing a hill is unavoidable, drive slowly and turn downhill immediately if you feel the vehicle may tip.
- Avoid paved surfaces. Turn gradually and go slowly if you must drive on pavement. This vehicle is designed for off-road use only.
- If you think or feel that the vehicle may tip or roll, keep your body completely inside the protective structure of the vehicle:
  - Brace yourself by pressing your feet firmly on the floorboard and keep a firm grip on the steering wheel or passenger handhold.
  - Do not put your hands or feet outside of the vehicle for any reason. Your arm or leg could be crushed.
  - Do not try to stop a vehicle tipover using your arm or leg.
- Do not operate this vehicle on any public street, road, or highway, even if dirt or gravel.



- Do not operate the vehicle in fast-flowing water or water deeper than 39 cm (15 in). If you must cross shallow, slow-moving water, choose your path carefully to avoid sharp drop-offs, large rocks, or slippery surfaces. Operating this vehicle through deep or fast-flowing water can lead to loss of control or overturn. To reduce your risk of drowning or other injuries, use care when crossing through water.
- When loaded with cargo:
  - Drive more slowly than normal and allow more room to stop.
  - Avoid hills and rough terrain. Use caution when carrying a load up or downhill.

### **Avoid carbon monoxide poisoning**

All engine exhaust contains carbon monoxide, a deadly gas. Breathing carbon monoxide can cause headaches, dizziness, drowsiness, nausea, confusion, and eventually death.

Carbon monoxide is a colorless, odorless, tasteless gas which may be present even if you do not see or smell any engine exhaust. Deadly levels of carbon monoxide can collect rapidly and you can quickly be overcome and unable to save yourself. Also, deadly levels of carbon monoxide can linger for hours or days in enclosed or poorly-ventilated areas. If you experience any symptoms of carbon monoxide poisoning, leave the area immediately, get fresh air, and **SEEK MEDICAL TREATMENT**.

- Do not run engine indoors. Even if you try to ventilate engine exhaust with fans or open windows and doors, carbon monoxide can rapidly reach dangerous levels.
- Do not run engine in poorly ventilated or partially enclosed areas such as barns, garages, or carports.

- Do not run engine outdoors where engine exhaust can be drawn into a building through openings such as windows and doors.

2

### **Genuine Yamaha Accessories**

Choosing accessories for your YXZ1000R is an important decision. Genuine Yamaha Accessories, which are available only from a Yamaha dealer, have been designed, tested, and approved by Yamaha for use on your YXZ1000R.

Many companies with no connection to Yamaha manufacture parts and accessories or offer other modifications for Yamaha vehicles. Yamaha is not in a position to test the products that these aftermarket companies produce. Therefore, Yamaha can neither endorse nor recommend the use of accessories not sold by Yamaha or modifications not specifically recommended by Yamaha, even if sold and installed by a Yamaha dealer.

### **Aftermarket parts, accessories, and modifications**

While you may find aftermarket products similar in design and quality to genuine Yamaha Accessories, recognize that some aftermarket accessories or modifications are not suitable because of potential safety hazards to you or others. Installing aftermarket products or having other modifications performed to your YXZ1000R that change any of the vehicle's design or operation characteristics can put you and others at greater risk of serious injury or death. You are responsible for injuries related to changes in the vehicle.

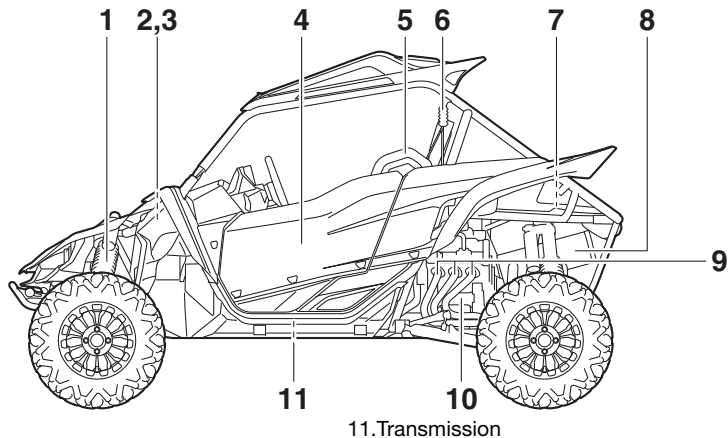
## **Aftermarket tires and rims**

The tires and rims that came with your YXZ1000R were designed to match the performance capabilities and to provide the best combination of handling, braking, and comfort. Other tires, rims, sizes, and combinations may not be appropriate. Refer to page 8-54 for tire specifications and more information on replacing your tires.

## DESCRIPTION

### Left view

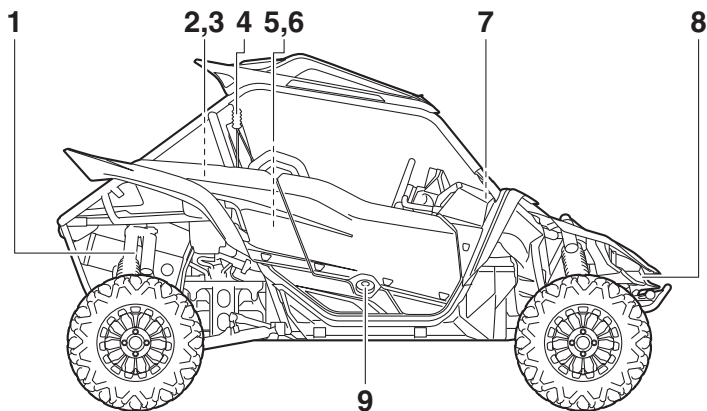
3



1. Front shock absorber
2. Brake fluid reservoir
3. Clutch fluid reservoir
4. Door
5. Shoulder bolster
6. Driver seat belt
7. Cargo bed
8. Muffler
9. Exhaust pipe
10. Engine

11. Transmission

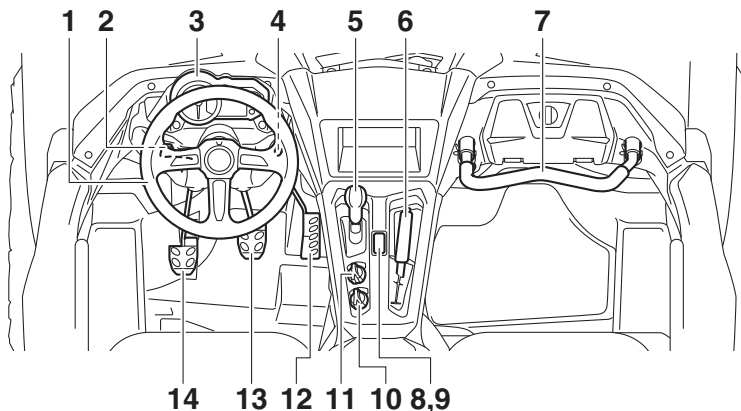
## Right view



1. Rear shock absorber
2. Engine oil tank
3. Air filter
4. Passenger seat belt
5. Battery
6. Fuses
7. Coolant reservoir
8. Headlight
9. Fuel tank cap

## Controls and instruments

3



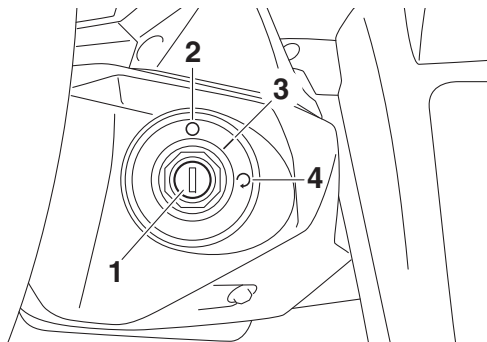
1. Steering wheel
2. Reverse gear lock lever
3. Multi-function meter unit
4. Main switch
5. Shift lever
6. Parking brake lever
7. Passenger handhold
8. Helmet indicator light

9. Seat belt indicator light
10. Light switch
11. On-Command drive knob
12. Accelerator pedal
13. Brake pedal
14. Clutch pedal

The vehicle you have purchased may differ slightly from those shown in the figures of this manual.

# INSTRUMENT AND CONTROL FUNCTIONS

## Main switch



1. Main switch
2. “○” (off)
3. “|” (on)
4. “↻” (start)

Functions of the respective switch positions are as follows:

“|” (on):

All electrical circuits are supplied with power. The key cannot be removed.

**TIP** \_\_\_\_\_

The helmet indicator light comes on and stays on while the key is turned to “|” (on).

4

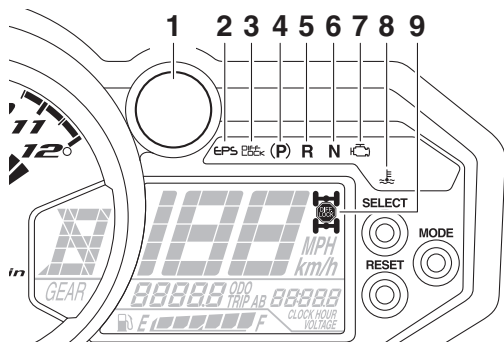
“○” (off):


All electrical circuits are switched off. The key can be removed.


“↻” (start):

The electric starter is engaged by turning and holding the key in this position. Release the key when the engine starts.

## Indicator lights and warning lights



1. Shift timing indicator light
2. Electric Power Steering warning light “EPS”
3. Differential gear lock indicator light “DIFF LOCK”
4. Parking brake indicator light “(P)”
5. Reverse indicator light “R”
6. Neutral indicator light “N”
7. Engine trouble warning light “

1. Helmet indicator light “

EBU35450

### Neutral indicator light “N”

This indicator light comes on when the transmission is in the neutral position.

EBU35460

### Reverse indicator light “R”

This indicator light comes on when the transmission is in the reverse position.



EBU34910

### **Parking brake indicator light “(P)”**

This indicator light comes on when the parking brake is applied.

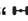

EBU35850

### **Differential gear lock indicator light “DIFF LOCK”**

This indicator light comes on when the front differential gear is locked.

EBU34921

### **Drivetrain icon “/”**

The drivetrain icon indicates what type of drive mode is currently selected. When 2WD is selected, the icon will turn off. When 4WD is selected, “” is displayed. And when 4WD with differential lock is selected “” is displayed.

### **TIP**

- See pages 4-15 and 6-7 for more information on selecting the drive mode.

- Due to the synchronizing mechanism in the differential gear case, the drivetrain icon may not come on until the vehicle starts moving.
- When the On-Command drive knob is set to “DIFF LOCK” or “4WD”, the drivetrain icon and the differential gear lock indicator light will flash until the differential gear is completely locked or unlocked. If the icon and the indicator light continue to flash, the differential is not completely locked or unlocked. In this case, start moving slowly and/or turn the steering wheel back and forth to help the differential to lock or unlock.

4

EBU34931

### **Shift timing indicator light**

This indicator light can be set to come on and go off at the desired engine speeds and is used to inform the driver when it is time to up-shift.

The electrical circuit of the indicator light can be checked by turning the key to “ I ” (on). If the indicator light does not come on initially when the key is turned to “ I ” (on), or if the indicator light remains on, have a Yamaha dealer check the electrical circuit.

4

**TIP** \_\_\_\_\_  
See page 4-12 for a detailed explanation of this indicator light and how to set it.

---

EBU35282

### **Coolant temperature warning light “ ”**

This warning light comes on when the coolant temperature, and therefore the engine, is outside its normal operating temperature range. The warning light comes on in blue to inform the driver that the vehicle should be warmed up. After the engine is started, warm it up until the warning light goes off.

The vehicle can be operated normally when the warning light is off.

The warning light comes on in red when the engine is overheating. If the red light comes on, stop the vehicle as soon as it is safe to do so and allow the engine to idle for about 10 minutes. If the warning light does not go off, stop the engine and allow it to cool. (See page 8-66.)

**TIP** \_\_\_\_\_  
The coolant temperature warning light can be checked by turning the key to “ I ” (on). The warning light should come on in purple briefly (which confirms that both the blue and red indicators are okay) and then go off. If the warning light does not come on at all, comes on in red or blue, or if the warning light remains on, have a Yamaha dealer check the vehicle.

---

ECB02040

### **NOTICE** \_\_\_\_\_



- **The engine may overheat if the vehicle is overloaded. If this happens, reduce the load to specification.**

- **After restarting, make sure that the warning light is out. Continuous use while this warning light is on may cause damage to the engine.**
- 

EBU31340


### **Engine trouble warning light “”**

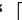
This warning light comes on or flashes if a problem is detected in the electrical circuit monitoring the engine. When this occurs, have a Yamaha dealer check the self-diagnosis system. (See page 4-12 for an explanation of the self-diagnosis device.)

The electrical circuit of the warning light can be checked by turning the key to “” (on). If the warning light does not come on initially when the key is turned to “” (on), or if the warning light remains on, have a Yamaha dealer check the electrical circuit.

EBU33041

### **Electric Power Steering warning light “EPS”**

This warning light comes on when the key is turned to “” (on), and then goes off once the engine is started. If the warning light remains on or comes on after the engine is started, the EPS system may not be working correctly. When this occurs, have a Yamaha dealer check the EPS system.

The electrical circuit of the warning light can be checked by turning the key to “” (on). If the warning light does not come on, have a Yamaha dealer check the electrical circuit.



#### **TIP**

---

If the steering load is too heavy (e.g., excessive steering use at slow speed or when operating in deep mud, sand, or snow), the power assist is reduced to protect the EPS motor from overheating.



---

## Helmet indicator light “”

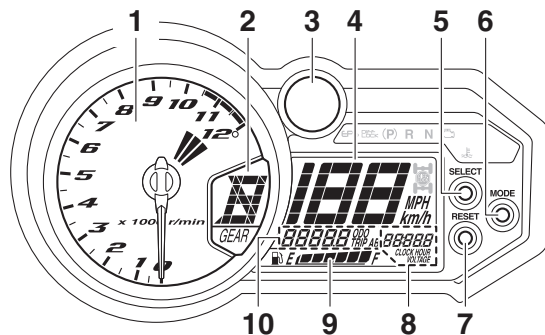
The indicator light comes on and stays on while the key is turned to “” (on) to remind the occupants to always wear a helmet. If the indicator light does not come on when the key is turned to “” (on), have a Yamaha dealer check the electrical circuit.

4

## Seat belt indicator light “”

The indicator light comes on when the key is turned to “” (on) to remind the occupants to fasten their seat belt. The indicator light stays on until the driver seat belt is properly latched. If the indicator light does not come on when the key is turned to “” (on), or if the indicator light remains on after the driver seat belt is properly latched, have a Yamaha dealer check the electrical circuit.

## Multi-function meter unit



1. Tachometer
2. Transmission gear display
3. Shift timing indicator light
4. Speedometer
5. “SELECT” button
6. “MODE” button
7. “RESET” button
8. Clock/Hour meter/Voltage display
9. Fuel meter
10. Odometer/Tripmeter A/Tripmeter B

The multi-function meter unit is equipped with the following:

- speedometer
- tachometer

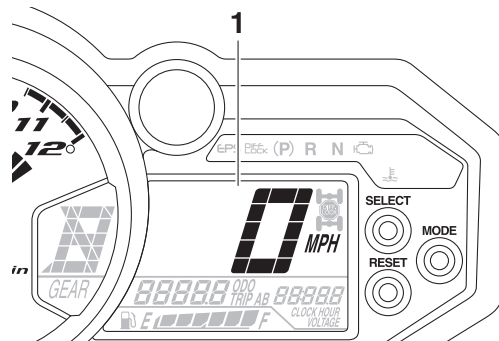
- odometer
- two tripmeters
- clock
- hour meter
- voltage display
- fuel meter
- transmission gear display
- shift timing indicator control mode
- self-diagnosis device

**TIP** \_\_\_\_\_

To switch the display between “MPH” and “km/h”, turn the key to “⊙” (off), then push and hold the “SELECT” button while turning the key to “⏻” (on).

---

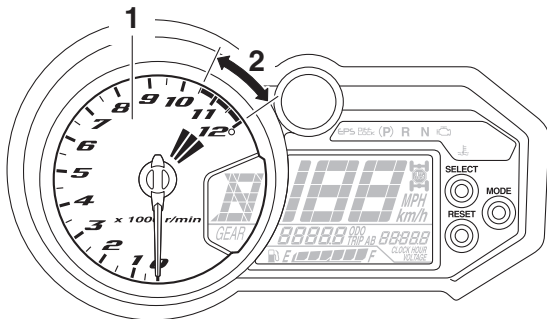
## Speedometer



1. Speedometer

The speedometer shows the vehicle’s traveling speed.

## Tachometer



4

1. Tachometer
2. Tachometer red zone

The tachometer shows the engine speed in crankshaft revolutions per minute (r/min). When the vehicle is first powered on, the tachometer needle will sweep once across the r/min range and then return to zero r/min in order to test the electrical circuit.

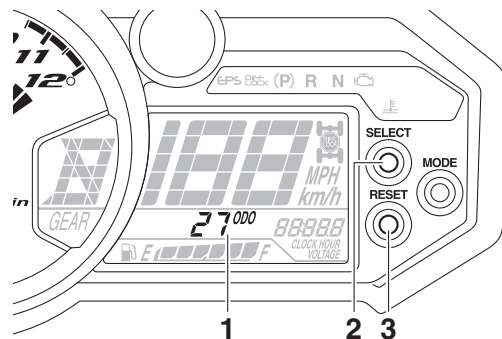
ECB02920

### NOTICE

**Do not operate the engine in the tachometer red zone.**

## Red zone: 10500 r/min and above

## Odometer and tripmeter modes



1. Odometer/Tripmeter A/Tripmeter B
2. "SELECT" button
3. "RESET" button

The odometer shows the total distance traveled by the vehicle.

The tripmeters show the distance traveled since they were last reset.

### TIP

- The odometer will lock at 99999.

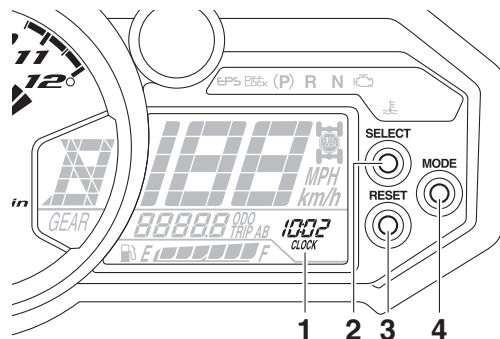
- The tripmeters will reset and continue counting after 9999.9 is reached.

Pushing the “SELECT” button switches the display between the odometer mode “ODO” and the tripmeter modes “TRIP A” and “TRIP B” in the following order:

ODO → TRIP A → TRIP B → ODO

To reset a tripmeter, select it by pushing the “SELECT” button, and then push the “RESET” button for three seconds. The tripmeters can be used to estimate the distance that can be traveled with a full tank of fuel. This information enables you to plan future fuel stops.

## Clock, hour meter and voltage display modes



1. Clock/Hour meter/Voltage display
2. “SELECT” button
3. “RESET” button
4. “MODE” button

The clock displays time in 12-hour format. The hour meter shows the total time the engine has been running. The voltage display shows the battery voltage.

Pushing the “MODE” button switches the display between the clock mode “CLOCK”, the hour meter mode “HOUR”, and the voltage display mode “VOLTAGE” in the following order:

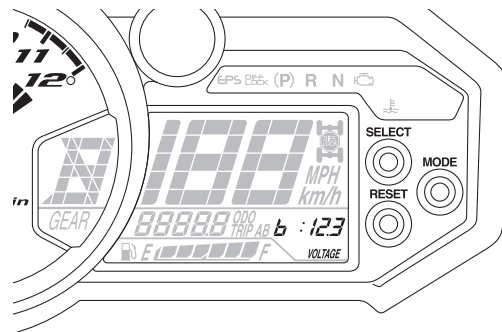
4


CLOCK → HOUR → VOLTAGE → CLOCK

### To set the clock

1. Set the display to the clock mode.
2. Push the “SELECT” button and “RESET” button together for three seconds.
3. When the hour digits start flashing, push the “RESET” button to set the hours.
4. Push the “SELECT” button, and the minute digits will start flashing.
5. Push the “RESET” button to set the minutes.
6. Push the “SELECT” button, and then release it to start the clock.

### Voltage display mode



This display shows “ :” and the battery voltage.

If the battery voltage is less than 10 volts, “LO” is displayed, and if the voltage is above 16 volts, “HI” is displayed.

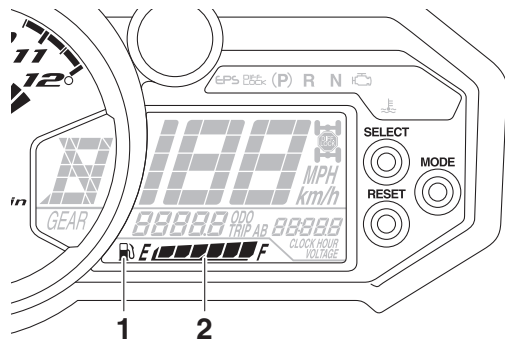
ECB02050

### **NOTICE**

**If the voltage display indicates “LO” or “HI”, there may be trouble with the battery charging circuit or the battery may be faulty. If this occurs, have a Yamaha dealer check or repair the vehicle.**



## Fuel meter



1. Fuel level warning indicator
2. Fuel meter

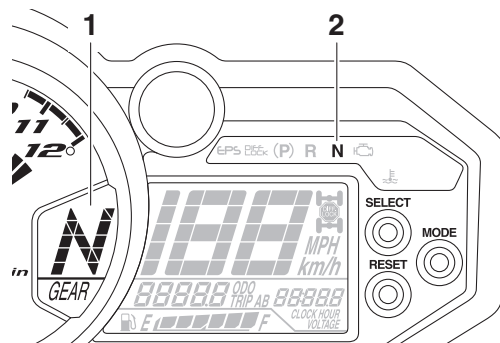
The fuel meter indicates the amount of fuel in the fuel tank. The display segments of the fuel meter disappear from “F” (full) towards “E” (empty) as the fuel level decreases. When the last segment on the left disappears and the fuel level warning indicator flashes, refuel as soon as possible.

## TIP

This fuel meter is equipped with a self-diagnosis system. If a problem is detected in an electrical circuit, all the display segments and fuel level warning indicator start flashing. If this occurs, have a Yamaha dealer check the electrical circuit.

4

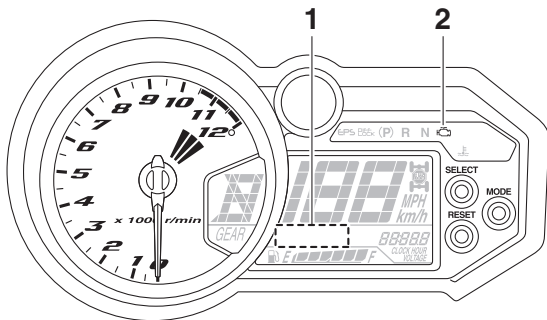
## Transmission gear display




1. Transmission gear display
2. Neutral indicator light “N”

This display shows the selected gear. The neutral position is indicated by “N” and by the neutral indicator light “N”.

## Self-diagnosis device



1. Error code display
2. Engine trouble warning light “”

This model is equipped with a self-diagnosis device for various electrical circuits.

If a problem is detected in any of those circuits, the engine trouble warning light comes on or flashes, and the multi-function display indicates an error code.

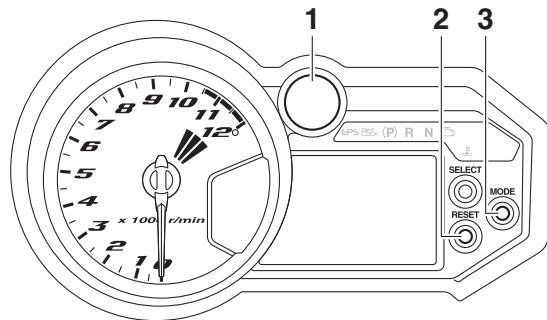
If the multi-function display indicates an error code, note the code number, and then have a Yamaha dealer check the vehicle.

ECB00812

## NOTICE

If the multi-function display indicates an error code, the vehicle should be checked as soon as possible in order to avoid engine damage.

## Shift timing indicator light





1. Shift timing indicator light
2. “RESET” button
3. “MODE” button

The shift timing indicator light has three settings which can be adjusted.

- **Flashing pattern:** this function allows you to choose whether or not the indicator light will come on and whether it should flash or stay on when activated.
- **Activation point:** this function allows you to select the engine speed at which the indicator light is activated.
- **Deactivation point:** this function allows you to select the engine speed at which the indicator light is deactivated.

#### To adjust the shift timing indicator light

1. Turn the key to “” (off).
2. Push and hold the “MODE” button.
3. Turn the key to “” (on), and then release the “MODE” button after five seconds. After all segments of the display disappear and the shift timing indicator light comes on, the shift timing indicator light can be adjusted.

#### To set the flashing pattern

1. Push the “RESET” button to select one of the following flashing pattern settings:
  - **On:** the indicator light stays on when activated. (The indicator light will confirm this setting by staying on.)
  - **Flash:** the indicator light flashes when activated. (The indicator light will confirm this setting by flashing four times per second.)
  - **Off:** the indicator light is deactivated; in other words, it does not come on or flash. (The indicator light will confirm this setting by flashing once every two seconds.)
2. Push the “MODE” button to confirm the selected flashing pattern. The control mode changes to the activation point setting mode. The shift timing indicator light remains on and the tachometer shows the current setting r/min for the activation point.

## To set the shift activation point

### **TIP**

---

- The shift timing indicator light activation point can be set between 7000 r/min and 12000 r/min. The activation point can be set in increments of 500 r/min.
- The tachometer needle will start over at 7000 r/min after 12000 r/min.

4

- 
1. Push the “RESET” button to select the desired engine speed for activating the indicator light.
  2. Push the “MODE” button to confirm the selected engine speed. The shift timing indicator light flashes and the tachometer shows the current setting r/min for the deactivation point.

## To set the deactivation point

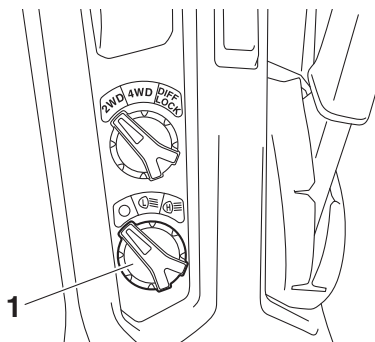
### **TIP**

---

- The shift timing indicator light deactivation point can be set between 7000 r/min and 12000 r/min. The deactivation point can be set in increments of 500 r/min.
- Be sure to set the deactivation point to a higher engine speed than for the activation point, otherwise the shift timing indicator light will not come on.
- The tachometer needle will start over at 7000 r/min after 12000 r/min.

- 
1. Push the “RESET” button to select the desired engine speed for deactivating the indicator light.
  2. Push the “MODE” button to confirm the selected engine speed. The display exits the shift timing light control mode and returns to the standard multi-function display mode.

## Light switch “○/L≡/H≡”



1. Light switch “○/L≡/H≡”

Set the switch to “L≡” to turn on the low beam and the taillight.

Set the switch to “H≡” to turn on the high beam and the taillight.

Set the switch to “○” to turn off the headlights and taillight.

ECB02060

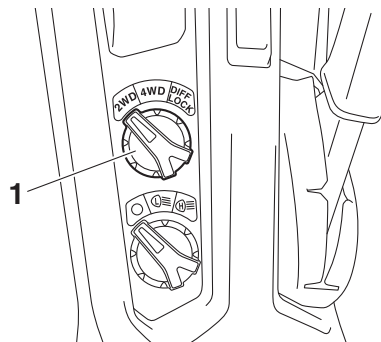
### **NOTICE**

**Do not use the headlights with the engine turned off for an extended period of time. The battery may discharge to the point**

**that the starter motor will not operate properly. If this should happen, remove the battery and recharge it.**

EBU31400

## On-Command drive knob “2WD/4WD/DIFF LOCK”



1. On-Command drive knob “2WD/4WD/DIFF LOCK”

This vehicle is equipped with an On-Command drive knob to select the drive mode.

The knob has three positions: “2WD”, “4WD”, and “DIFF LOCK”. Select the appropriate drive according to terrain and conditions.

- “2WD” (two-wheel drive): Power is supplied to the rear wheels only.
- “4WD” (four-wheel drive): Power is supplied to the rear and front wheels.
- “DIFF LOCK” (four-wheel drive with the differential gear locked): Power is supplied to the rear and front wheels with the differential gear locked. Unlike the “4WD” mode, all wheels turn at the same speed regardless of traction.

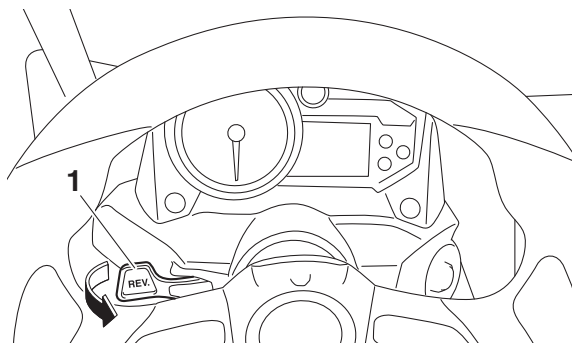
EBU34961

### Reverse gear lock lever “REV.”

To prevent the transmission from being accidentally shifted into reverse, this model is equipped with a reverse gear lock mechanism. To release the lock and be able to shift the transmission into reverse, pull this lever towards you.

#### TIP

See page 6-5 for information on driving in reverse.

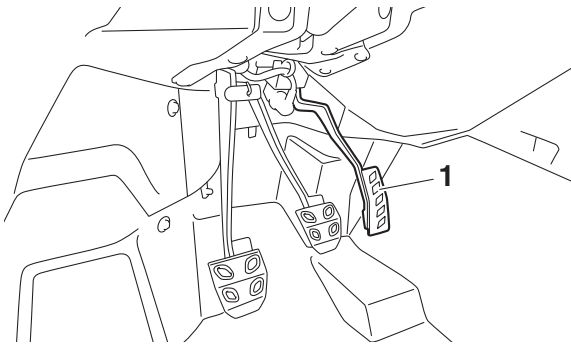


1. Reverse gear lock lever “REV.”

EBU31411

### Accelerator pedal

Press the accelerator pedal to increase engine speed. Spring tension returns the pedal to the rest position when released. Always check that the accelerator pedal returns normally before starting the engine.

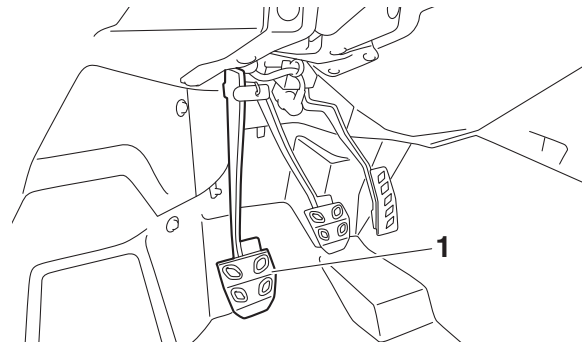


1. Accelerator pedal

EBU34970

## Clutch pedal

Press the clutch pedal to disengage the clutch. To engage the clutch, release the clutch pedal. The clutch pedal should be pressed rapidly and released slowly for smooth clutch operation.

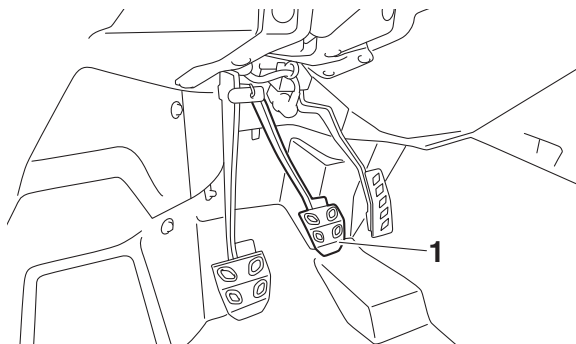


1. Clutch pedal

EBU31420

## Brake pedal

Press the brake pedal to slow or stop the vehicle.



1. Brake pedal

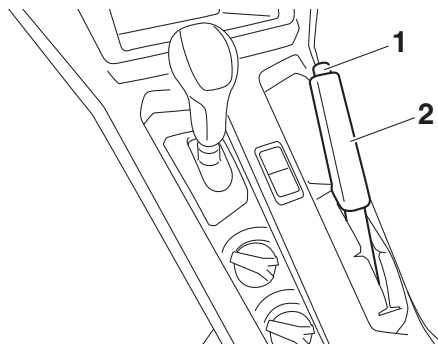
EBU35640

## Parking brake lever

The parking brake lever is located at the right side of the driver's seat. Setting the parking brake lever will help keep the vehicle from moving while parked.

To set the parking brake, pull the lever upward firmly.

To release the parking brake, pull slightly upward on the lever, press the release button, and then push the lever all the way down.



1. Release button  
2. Parking brake lever

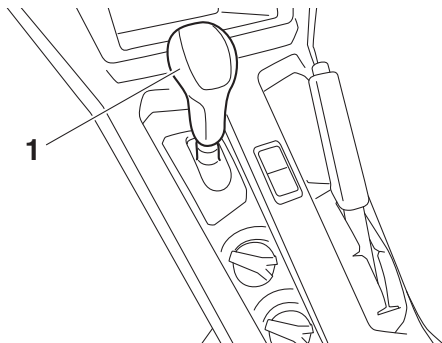
### TIP

- Spring tension helps return the lever to the released position.
- If you drive the vehicle with the parking brake engaged, a buzzer will sound.



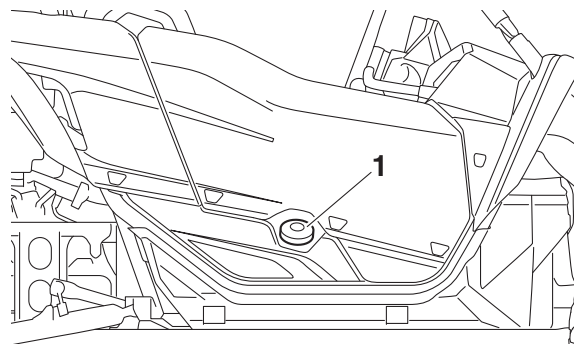
## Shift lever

This model is equipped with a 5-speed sequential transmission with reverse gear. The shift lever is used in combination with the clutch pedal when shifting. See page 6-3 for shift lever operation.



1. Shift lever

## Fuel tank cap



1. Fuel tank cap

### To open

Remove the fuel tank cap by turning it counterclockwise.

### To close

Install the fuel tank cap by turning it clockwise.

## Doors

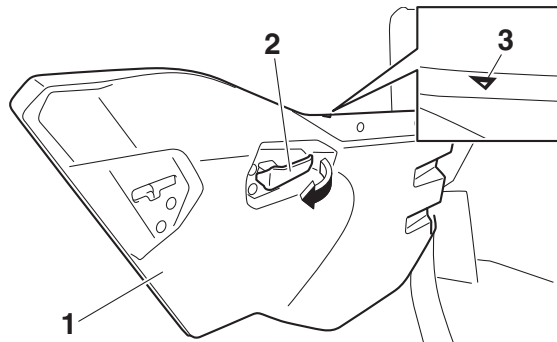
The door handle is located on the inside of each door.

To open a door, pull the handle. To close a door, push or pull the door inward until it is securely latched. Be sure the door is **SECURELY LATCHED AFTER CLOSING IT.**

4

### TIP

When opening a door from the outside, use the “▲” mark to locate the door handle.



1. Door
2. Handle
3. “▲” mark

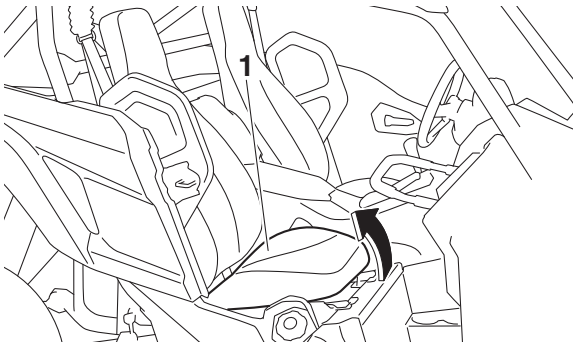
EBU33461

## Seats

To remove a seat cushion, lift the front of the cushion, and then pull the cushion off.

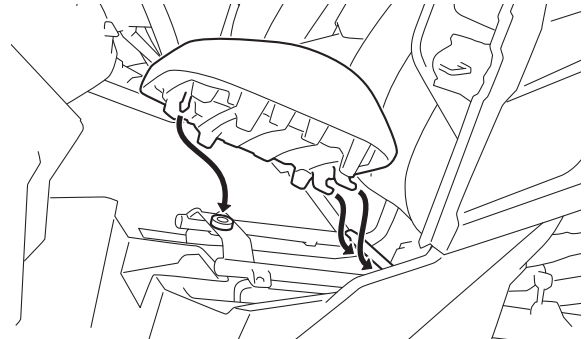


1. Driver seat cushion



1. Passenger seat cushion

To install a seat cushion, insert the projections on the rear of the seat cushion under the seat frame, and then insert the projection on the front of the cushion into the grommet while pushing the cushion downward. Make sure the seats are properly secured before starting off. **WARNING! A loose seat could cause the operator to lose control, or cause the operator or passenger to fall.** [EWB03510]

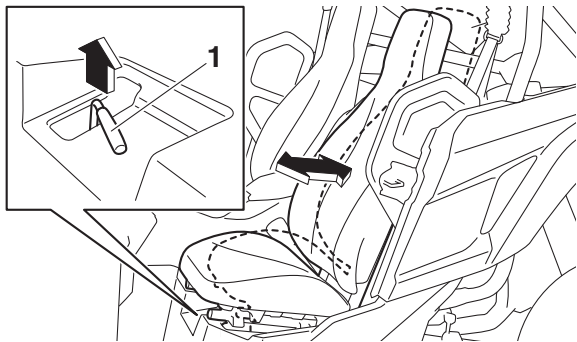


## Adjusting the driver seat position

The driver seat position can be adjusted to suit the driver's preference. **WARNING! Never adjust the seat position while operating the vehicle, otherwise the seat may suddenly change position, which may lead to an accident.** [EWB03990]

4

To adjust the driver seat position, pull the driver seat position adjusting lever upward and move the seat to the desired position.



1. Driver seat position adjusting lever

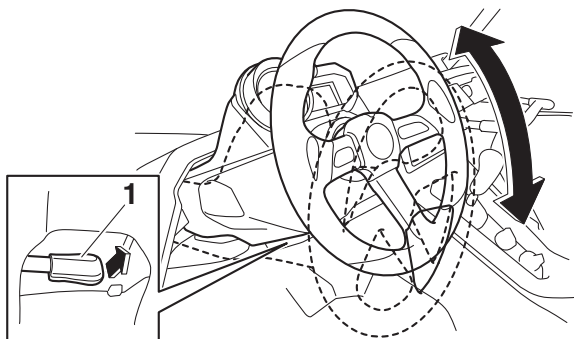
## TIP

Adjust the driver seat position and make sure it is locked in place before starting off.

## Adjusting the steering wheel position

The steering wheel position can be adjusted to suit the driver's preference. **WARNING! Never adjust the steering wheel position while operating the vehicle, otherwise the steering wheel may suddenly change position, which may lead to an accident.** [EWB04000]

To adjust the steering wheel position, pull the steering wheel position adjusting lever and move the steering wheel to the desired position.



1. Steering wheel position adjusting lever

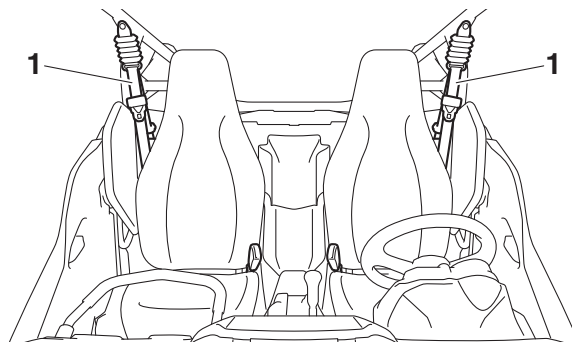
## TIP

Adjust the steering wheel position before starting off.

EBU33470

## Seat belts

This vehicle is equipped with three-point seat belts for the driver and passenger. Always wear the seat belts properly while riding in the vehicle. See page 7-5 for more information.



1. Seat belt

EBU31501

## Glove compartment

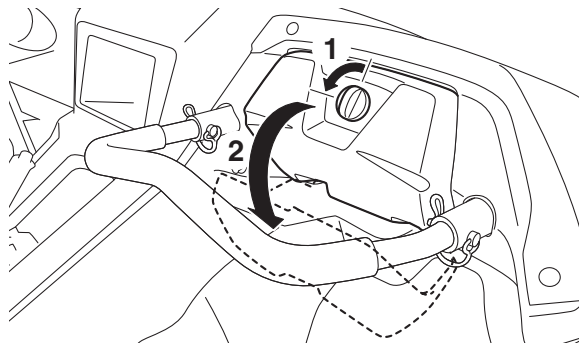
This vehicle is equipped with a glove compartment.

When storing any documents in the glove compartment, be sure to wrap them in a plastic bag so that they will not get wet. When washing the vehicle, be careful not to let any water enter the glove compartment.

**NOTICE**

To protect from damage, do not put metal items, like tools, or sharply edged items directly in the glove compartment. If they must be stored, wrap them in appropriate cushioning material.

4

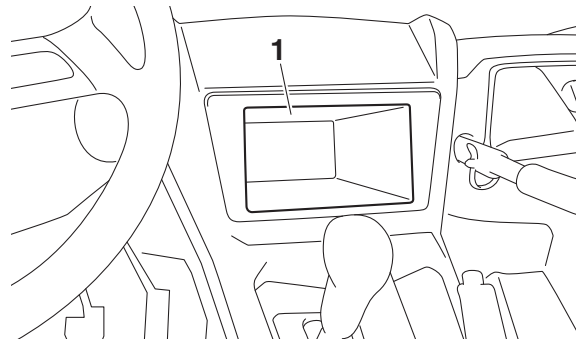


1. Unlock.
2. Open.

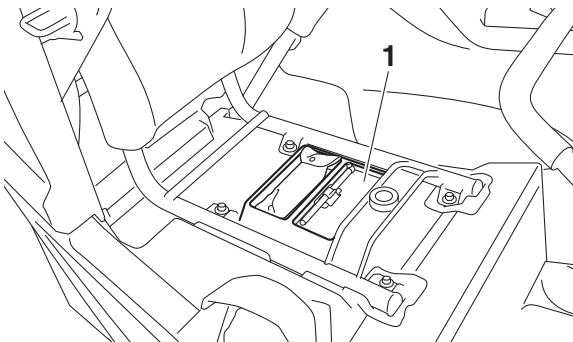
**Storage compartments**

There are storage compartments located in the center console, under the passenger seat, and behind the driver seat.

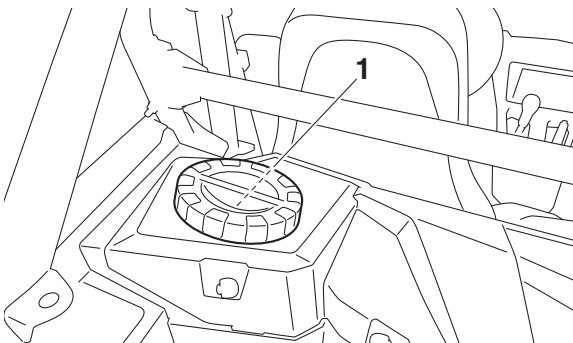
To access the storage compartment under the passenger seat, remove the seat cushion (see page 4-20 for more information).



1. Storage compartment



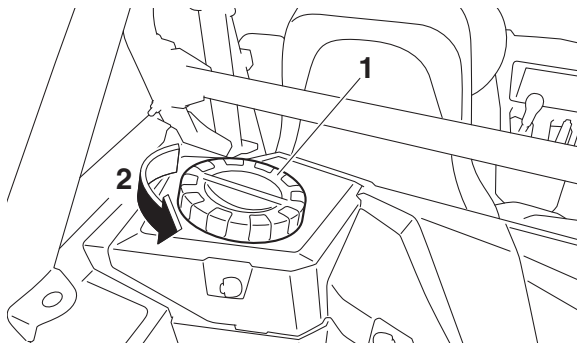
1. Storage compartment



1. Storage compartment

To access the storage compartment behind the driver seat, remove the storage compartment cover. **WARNING! Fuel vapors can be a fire or explosion hazard. To avoid injury or death, never store fuel or flammable liquids in this storage compartment.** [EWB03230]  
**NOTICE: Do not exceed the specified maximum load limit for this storage compartment.** [ECB02090]

Maximum load limit: Storage compartment behind driver seat: 4.5 kg (10 lb)
--



1. Storage compartment cover
2. Turn.

When storing any documents in the storage compartments, be sure to wrap them in a plastic bag so that they will not get wet. When washing the vehicle, be careful not to let any water enter the storage compartments.

ECB02241

**NOTICE**

To protect from damage, do not put metal items, like tools, or sharply edged items directly in the storage compartment. If these items must be stored, wrap them in appropriate cushioning material.

EBU31520

**Cup holders**

Be sure to tightly close the cap of any plastic bottle before placing it in a cup holder.

Some plastic bottles may not fit into the cup holders depending on their size and shape.

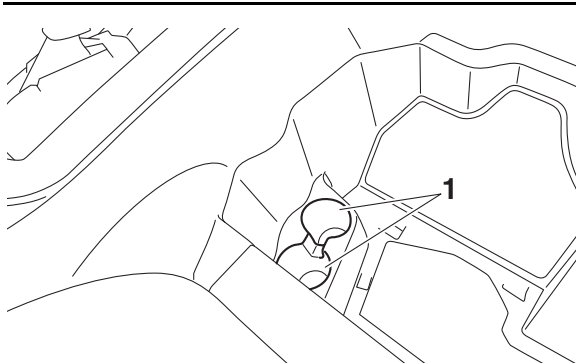
EWWB03240

**! WARNING**

- **Never ride with any open or glass containers in the cup holders; otherwise, the contents may spill and the glass containers may be thrown about and break, and possibly injure people in the vehicle during sudden braking or an accident.**



- Do not place any other items than sealable plastic containers in the cup holders; otherwise, they may be thrown about and possibly injure people in the vehicle during sudden braking or an accident.



1. Cup holder

EBU35020

## Cargo bed

EWB03250

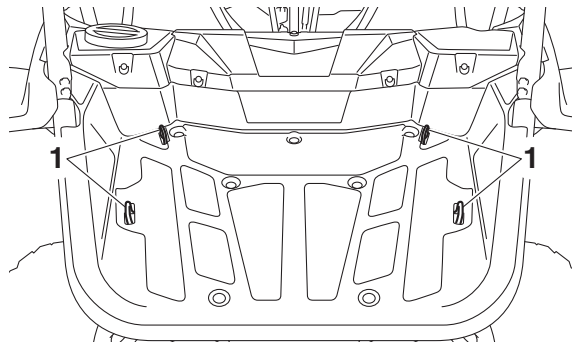


**WARNING**

- Never carry passengers in the cargo bed.

- Do not exceed the specified maximum load limits. Heavier cargo could cause loss of control because of improper weight balance.

There are four cargo hooks in the cargo bed.



1. Cargo hook

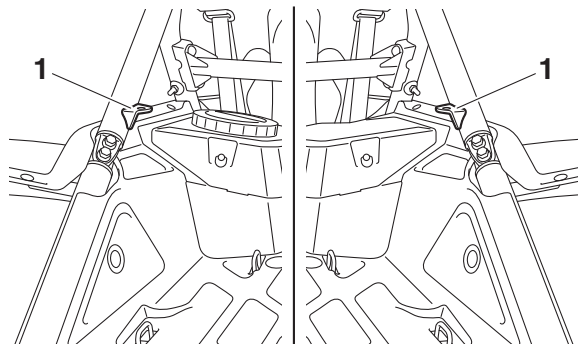
Maximum load limit: 136.0 kg (300 lb)

For additional loading information, see page 6-9.

EBU35660

## Flag pole bracket

This model is equipped with a flag pole bracket.



1. Flag pole bracket

ECB03010

### **NOTICE**

**Do not use the flag pole bracket as a cargo hook.**

EBU35031

## Adjusting the front shock absorber assemblies

The shock absorber assemblies are equipped with a spring preload adjusting nut, a rebound damping force adjusting screw, a high speed compression damping force adjusting bolt, and a low speed compression damping force adjusting screw.

EWB02492

### **! WARNING**

- **Suspension components become hot during operation. Never touch the compression damping force adjusting bolt and screw, the rebound damping force adjusting screw or the oil reservoir with your bare hand or skin until suspension components have cooled.**
- **Always adjust the shock absorber assemblies on the left and right side to the same setting. Uneven adjustment can cause poor handling and loss of stability, which could lead to an accident.**

**NOTICE**

**Never turn an adjusting mechanism beyond the minimum and maximum settings.**

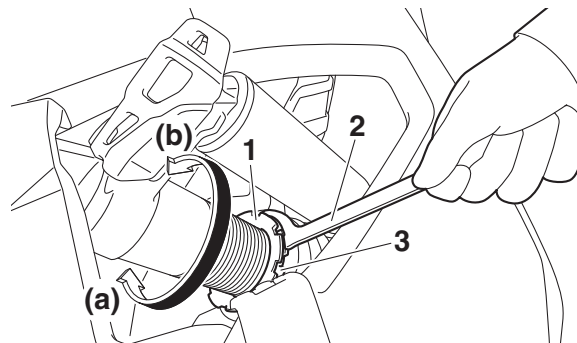
**TIP**

Although the total number of clicks or turns of a damping force adjusting mechanism may not exactly match the following specifications due to small differences in production, the actual number of clicks or turns always represents the entire adjusting range. To obtain a precise adjustment, it would be advisable to check the number of clicks or turns of each damping force adjusting mechanism and to modify the specifications as necessary.

**Spring preload**

1. Loosen the locknut.
2. Turn the spring preload adjusting nut in direction (a) to increase the spring preload and thereby harden the suspension,

and in direction (b) to decrease the spring preload and thereby soften the suspension.



1. Locknut
2. Special wrench
3. Spring preload adjusting nut

**TIP**

- A special wrench can be obtained at a Yamaha dealer to make this adjustment.

- The spring preload setting is determined by measuring distance A, shown in the illustration. The shorter distance A is, the higher the spring preload; the longer distance A is, the lower the spring preload.

4

Spring preload setting:

Minimum (soft):

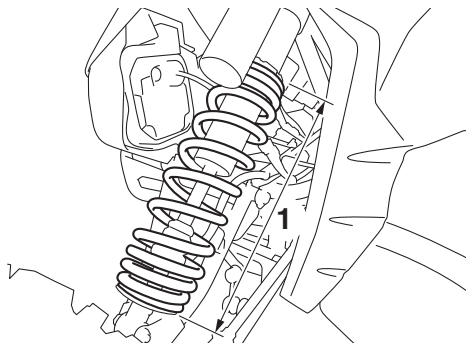
Distance A = 428.2 mm (16.86 in)

Standard:

Distance A = 415.5 mm (16.36 in)

Maximum (hard):

Distance A = 402.8 mm (15.86 in)



1. Distance A

3. Tighten the locknut to the specified torque. **NOTICE: Always tighten the locknut against the adjusting nut, and then tighten it to the specified torque.**

[ECB00082]

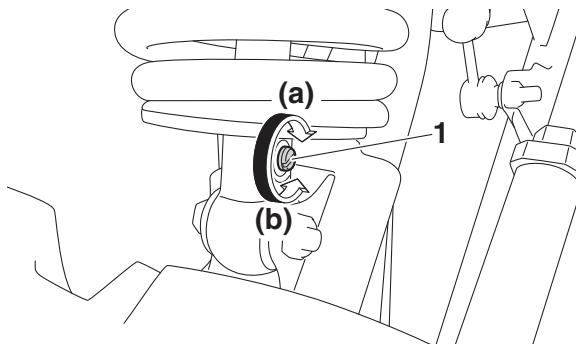
Tightening torque:

Locknut:

41 Nm (4.1 m·kgf, 30 ft·lbf)

## Rebound damping force

Turn the rebound damping force adjusting screw in direction (a) to increase the rebound damping force and thereby harden the damping, and in direction (b) to decrease the rebound damping force and thereby soften the damping.



1. Rebound damping force adjusting screw

Rebound damping setting:

Minimum (soft):

26 click(s) in direction (b)\*

Standard:

12 click(s) in direction (b)\*

Maximum (hard):

1 click(s) in direction (b)\*

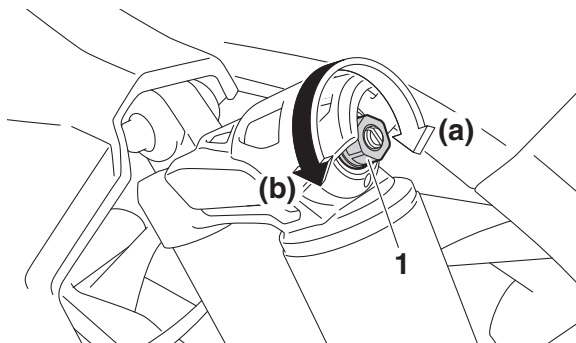
\* With the adjusting screw fully turned in direction (a)

4

## Compression damping force

### High speed compression damping force

To increase the compression damping force and thereby harden the high speed compression damping, turn the compression damping force adjusting bolt in direction (a). To decrease the compression damping force and thereby soften the high speed compression damping, turn the adjusting bolt in direction (b).



1. High speed compression damping force adjusting bolt

#### High speed compression damping setting

Minimum (soft):

4 turn(s) out from the fully turned in position

Standard:

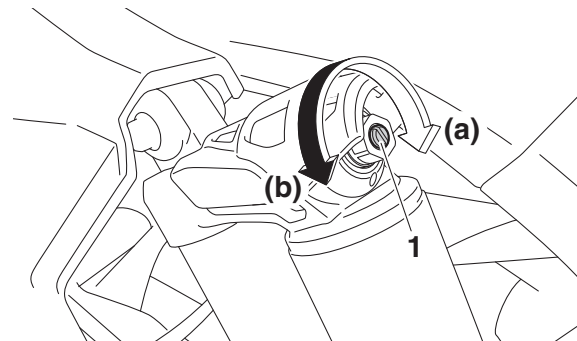
2 turn(s) out from the fully turned in position

Maximum (hard):

Adjusting bolt fully turned in

#### Low speed compression damping force

To increase the compression damping force and thereby harden the low speed compression damping, turn the compression damping force adjusting screw in direction (a). To decrease the compression damping force and thereby soften the low speed compression damping, turn the adjusting screw in direction (b).



1. Low speed compression damping force adjusting screw

Low speed compression damping setting

Minimum (soft):

4 turn(s) out from the fully turned in position

Standard:

1 1/2 turn(s) out from the fully turned in position

Maximum (hard):

Adjusting screw fully turned in

- **Do not deform or damage the cylinders in any way. Cylinder damage will result in poor damping performance.**
- **Do not dispose of a damaged or worn out shock absorber assembly yourself. Take the shock absorber assembly to a Yamaha dealer for any service.**

4

EWB00411



**These shock absorber assemblies contain highly pressurized nitrogen gas. Read and understand the following information before handling the shock absorber assemblies.**

- **Do not tamper with or attempt to open the cylinder assemblies.**
- **Do not subject the shock absorber assemblies to an open flame or other high heat source. This may cause the unit to explode due to excessive gas pressure.**

EBU35041

## **Adjusting the rear shock absorber assemblies**

The rear shock absorber assemblies are equipped with a spring preload adjusting nut, a rebound damping force adjusting screw, a high speed compression damping force adjusting bolt, and a low speed compression damping force adjusting screw.

EWB02492



- **Suspension components become hot during operation. Never touch the compression damping force adjusting bolt and screw, the rebound damping force**

**adjusting screw or the oil reservoir with your bare hand or skin until suspension components have cooled.**

- **Always adjust the shock absorber assemblies on the left and right side to the same setting. Uneven adjustment can cause poor handling and loss of stability, which could lead to an accident.**

---

ECB00091

**NOTICE**

---

**Never turn an adjusting mechanism beyond the minimum and maximum settings.**

---

**TIP**

Although the total number of clicks or turns of a damping force adjusting mechanism may not exactly match the following specifications due to small differences in production, the actual number of clicks or turns always represents the entire adjusting range. To obtain a precise adjustment, it would be advisable to

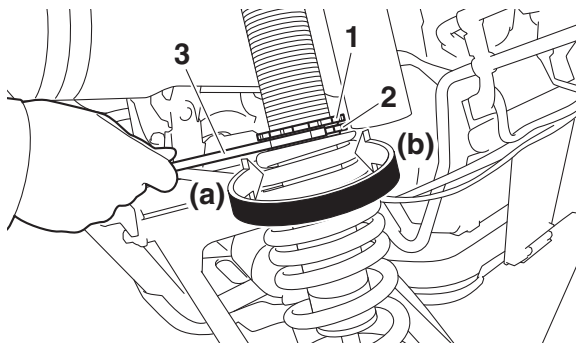
check the number of clicks or turns of each damping force adjusting mechanism and to modify the specifications as necessary.

---

**Spring preload**

1. Loosen the locknut.
2. Turn the spring preload adjusting nut in direction (a) to increase the spring preload and thereby harden the suspension, and in direction (b) to decrease the spring preload and thereby soften the suspension.





1. Locknut
2. Spring preload adjusting nut
3. Special wrench

### TIP

- A special wrench can be obtained at a Yamaha dealer to make this adjustment.
- The spring preload setting is determined by measuring distance A, shown in the illustration. The shorter distance A is, the higher the spring preload; the longer distance A is, the lower the spring preload.

### Spring preload setting:

#### Minimum (soft):

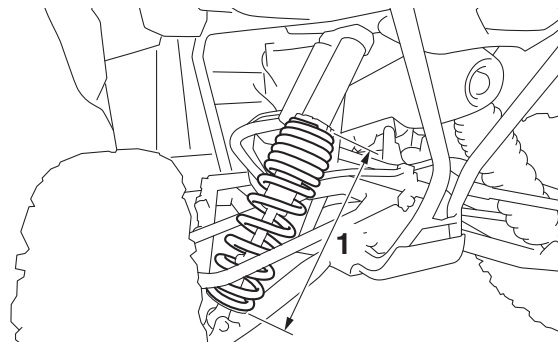
Distance A = 496.8 mm (19.56 in)

#### Standard:

Distance A = 484.1 mm (19.06 in)

#### Maximum (hard):

Distance A = 471.4 mm (18.56 in)



1. Distance A

3. Tighten the locknut to the specified torque. **NOTICE: Always tighten the locknut against the adjusting nut, and then tighten it to the specified torque.**

[ECB00082]

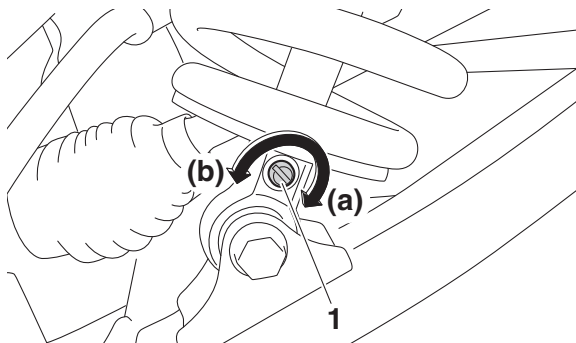
Tightening torque:

Locknut:

41 Nm (4.1 m·kgf, 30 ft·lbf)

### Rebound damping force

4 Turn the rebound damping force adjusting screw in direction (a) to increase the rebound damping force and thereby harden the damping, and in direction (b) to decrease the rebound damping force and thereby soften the damping.



1. Rebound damping force adjusting screw

Rebound damping setting:

Minimum (soft):

26 click(s) in direction (b)\*

Standard:

8 click(s) in direction (b)\*

Maximum (hard):

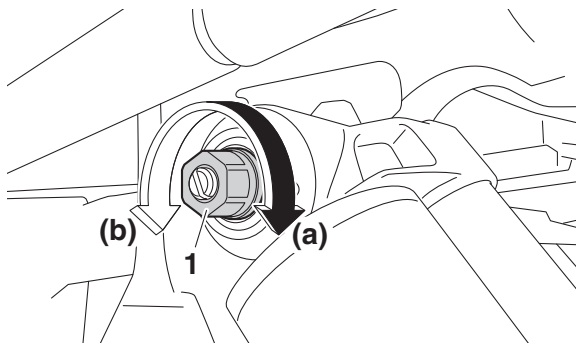
1 click(s) in direction (b)\*

\* With the adjusting screw fully turned in direction (a)

### Compression damping force

#### High speed compression damping force

To increase the compression damping force and thereby harden the high speed compression damping, turn the compression damping force adjusting bolt in direction (a). To decrease the compression damping force and thereby soften the high speed compression damping, turn the adjusting bolt in direction (b).



1. High speed compression damping force adjusting bolt

#### High speed compression damping setting

Minimum (soft):

4 turn(s) out from the fully turned in position

Standard:

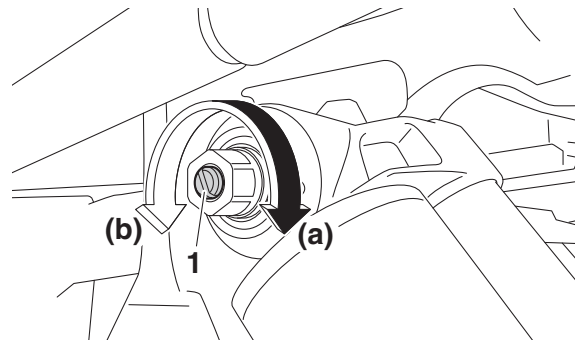
1 1/2 turn(s) out from the fully turned in position

Maximum (hard):

Adjusting bolt fully turned in

Low speed compression damping force  
 To increase the compression damping force and thereby harden the low speed compression damping, turn the compression damping force adjusting screw in direction (a). To decrease the compression damping force and thereby soften the low speed compression damping, turn the adjusting screw in direction (b).

4



1. Low speed compression damping force adjusting screw

Low speed compression damping setting

Minimum (soft):

4 turn(s) out from the fully turned in position

Standard:

1 1/2 turn(s) out from the fully turned in position

Maximum (hard):

Adjusting screw fully turned in

EWB03500

### **WARNING**

**These shock absorber assemblies contain highly pressurized nitrogen gas. Read and understand the following information before handling the shock absorber assemblies.**

- **Do not tamper with or attempt to open the cylinder assemblies.**
- **Do not subject the shock absorber assembly to an open flame or other high heat source. This may cause the unit to explode due to excessive gas pressure.**

- **Do not deform or damage the cylinders in any way. Cylinder damage will result in poor damping performance.**
- **Do not dispose of a damaged or worn out shock absorber assembly yourself. Take the shock absorber assembly to a Yamaha dealer for any service.**

EBU35052

### **Auxiliary DC jack**

The auxiliary DC jack is located at the left side of the glove compartment. The auxiliary DC jack can be used for suitable work lights, radios, etc. The auxiliary DC jack should only be used when the engine is running and the lights are turned off.

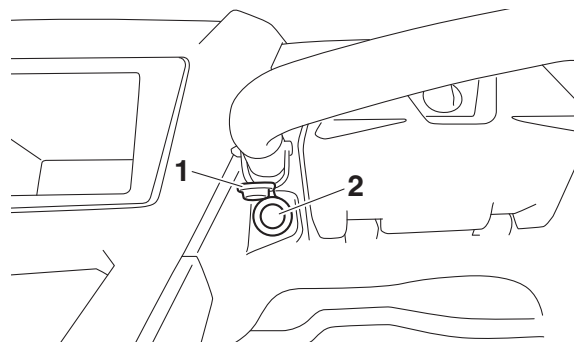
ECB02250

### **NOTICE**

- **Do not use accessories requiring more than the stated maximum capacity. Doing so may overload the circuit and cause the fuse to blow.**

- If accessories are used without the engine running, the battery may discharge.
- Do not use an automotive cigarette lighter or other accessories with a plug that gets hot, because the jack can be damaged.

- 
1. Set the light switch to “○” (off).
  2. Turn the accessory off.
  3. Start the engine. (See page 6-2.)
  4. Open the auxiliary DC jack cap, and then insert the accessory power plug into the jack.



1. Auxiliary DC jack cap
2. Auxiliary DC jack

Maximum rated capacity for the auxiliary DC jack:  
DC 12 V, 10 A (120 W)

5. Turn the accessory on.
6. When the auxiliary DC jack is not being used, cover it with the cap.

## FOR YOUR SAFETY – PRE-OPERATION CHECKS

Inspect your vehicle each time you use it to make sure the vehicle is in safe operating condition. Always follow the inspection and maintenance procedures and schedules described in the Owner's Manual.

EWB00482



5

**Failure to inspect or maintain the vehicle properly increases the possibility of an accident or equipment damage. Do not operate the vehicle if you find any problem. If a problem cannot be corrected by the procedures provided in this manual, have the vehicle inspected by a Yamaha dealer.**

Before using this vehicle, check the following points:

ITEM	ROUTINE	PAGE
<b>Brakes</b>	<ul style="list-style-type: none"> <li>• Check operation, free play, fluid level, and fluid leakage.</li> <li>• Fill with DOT 4 brake fluid if necessary.</li> </ul>	5-3, 8-43, 8-50
<b>Clutch</b>	<ul style="list-style-type: none"> <li>• Check operation, free play, fluid level, and fluid leakage.</li> <li>• Fill with DOT 4 brake fluid if necessary.</li> </ul>	5-3, 8-47
<b>Parking brake</b>	<ul style="list-style-type: none"> <li>• Check for proper operation, condition, and free play.</li> </ul>	8-49
<b>Fuel</b>	<ul style="list-style-type: none"> <li>• Check fuel level.</li> <li>• Fill with the recommended fuel if necessary.</li> </ul>	5-4

ITEM	ROUTINE	PAGE
<b>Engine oil</b>	<ul style="list-style-type: none"> <li>• Check oil level.</li> <li>• Fill with oil to proper level if necessary.</li> </ul>	5-5, 8-15
<b>Drivetrain</b>	<ul style="list-style-type: none"> <li>• Check front differential, transmission case, and rear final gear for leakage.</li> </ul>	5-6, 5-6, 5-7, 8-25, 8-28, 8-30
<b>Coolant</b>	<ul style="list-style-type: none"> <li>• Check coolant level in reservoir.</li> <li>• Fill with coolant if necessary.</li> </ul>	5-6, 8-33
<b>Accelerator pedal</b>	<ul style="list-style-type: none"> <li>• Check free play and for proper operation.</li> </ul>	5-7
<b>Seat belts</b>	<ul style="list-style-type: none"> <li>• Check for proper operation and belt wear.</li> </ul>	5-7
<b>Passenger handhold</b>	<ul style="list-style-type: none"> <li>• Check for stability and proper fastening.</li> </ul>	5-7, 7-8
<b>Steering</b>	<ul style="list-style-type: none"> <li>• Check for proper operation.</li> </ul>	5-7
<b>Shift lever</b>	<ul style="list-style-type: none"> <li>• Check for proper operation.</li> </ul>	5-8
<b>Fittings and fasteners</b>	<ul style="list-style-type: none"> <li>• Check all fittings and fasteners.</li> </ul>	5-8
<b>Instruments, lights and switches</b>	<ul style="list-style-type: none"> <li>• Check operation, and correct if necessary.</li> </ul>	5-8, 8-62, 8-63
<b>Wheels and tires</b>	<ul style="list-style-type: none"> <li>• Check tire pressure and for wear and damage.</li> </ul>	5-8, 8-54, 8-55
<b>Axle boots</b>	<ul style="list-style-type: none"> <li>• Check for damage.</li> </ul>	8-34

## Front and rear brakes

### Brake pedal

- Check that there is no free play in the brake pedal. If there is free play, have a Yamaha dealer check the brake system. (See page 8-47.)
- Check the operation of the brake pedal. It should move smoothly and there should be a firm feeling when the brakes are applied. If not, have the vehicle inspected by a Yamaha dealer.

### Brake fluid level

Check the brake fluid level. Add fluid if necessary. (See page 8-45.)

Specified brake fluid: DOT 4

5

### Brake fluid leakage

Check to see if any brake fluid is leaking out of the pipe joints or the brake fluid reservoir. Apply the brakes firmly for one minute. If there is any leakage, have the vehicle inspected by a Yamaha dealer.

### Brake operation

Check the operation of the brakes at the start of every ride. Test the brakes at slow speed after starting out to make sure they are working properly. If the brakes do not provide proper braking performance, inspect the brake system. (See page 8-43.)

EBU35491

### Clutch

#### Clutch pedal

Check the operation of the clutch pedal. The pedal should move smoothly and there should be some resistance when the clutch pedal is depressed.



## Clutch fluid

Depress and release the clutch pedal five times. Check to see if any fluid is leaking out of the hoses, reservoir, or master cylinder.

Check the clutch fluid level and correct if necessary. (See page 8-45.)

### TIP

If any leakage is found, or if the clutch pedal offers little resistance, have a Yamaha dealer service the vehicle.

EBU33200

## Fuel

Make sure there is sufficient fuel in the tank.

EWB02522

### WARNING

**Gasoline and gasoline vapors are extremely flammable. To avoid fires and explosions and to reduce the risk of injury when refueling, follow these instructions.**

1. Before refueling, turn off the engine and be sure that no one is sitting in the vehicle.

Never refuel while smoking, or while in the vicinity of sparks, open flames, or other sources of ignition such as the pilot lights of water heaters and clothes dryers.

2. Do not overfill the fuel tank. Because fuel expands when it heats up, heat from the engine or the sun can cause fuel to spill out of the fuel tank.

3. Wipe up any spilled fuel immediately.

4. Be sure the fuel tank cap is closed securely.

EWB02532

### WARNING

**Gasoline is poisonous and can cause injury or death. Handle gasoline with care. Never siphon gasoline by mouth. If you should swallow some gasoline or inhale a lot of gasoline vapor, or get some gasoline in your eyes, see your doctor immediately.**

**If gasoline spills on your skin, wash with soap and water. If gasoline spills on your clothing, change your clothes.**

Your Yamaha engine has been designed to use regular unleaded gasoline with a research octane number of 91 or higher (95 or higher for Europe). If knocking or pinging occurs, use a different brand of gasoline or premium unleaded gasoline. Unleaded fuel will give you longer spark plug life and reduced maintenance cost.

Recommended fuel:

Regular unleaded gasoline only

For Europe: Regular unleaded gasoline only with a research octane number of 95 or higher

Fuel tank capacity:

34.0 L (8.98 US gal, 7.48 Imp.gal)

## Portable fuel containers

If you carry a portable fuel container in the bed of your Yamaha YXZ1000R, be sure to secure it with the cap tightened before driving the vehicle.

Always place a portable fuel container on the ground before filling it. Before removing the container cap, touch the container with the fuel dispenser nozzle. Keep fuel dispenser nozzle in contact with container inlet when filling. **WARNING! Never refill a fuel container in the bed of any vehicle. Fire may result from a build-up of static electricity. The discharge of this build-up while refueling can cause a spark and ignite the gasoline.**

[EWB03270]

EBU35680

## Engine oil

Make sure the engine oil is at the specified level. Add oil as necessary. (See page 8-15.)

**NOTICE**

- **Do not use oils with a diesel specification of “CD” or oils of a higher quality than specified. In addition, do not use oils labeled “ENERGY CONSERVING II” or higher.**
- **Make sure that no foreign material enters the oil tank.**

Recommended engine oil type and quantity:  
See page 10-1.

**Transmission**

Make sure there is no oil leaking from the transmission case.

**Coolant**

Check the coolant level in the coolant reservoir when the engine is cold (the coolant level will vary with engine temperature).

The coolant level is satisfactory if it is between the minimum and maximum level marks on the coolant reservoir. If the coolant level is at or below the minimum level mark, add additional coolant to bring the level up to maximum level mark. If coolant is not available, add distilled water. Change the coolant every two years. (See page 8-33.)

**NOTICE**

**Hard water or salt water is harmful to the engine. You may use soft water if you cannot get distilled water.**

Coolant reservoir capacity (up to the maximum level mark):  
0.31 L (0.33 US qt, 0.28 Imp.qt)

**Final gear**

Make sure there is no oil leaking from the final gear case.

EBU36030

## Differential gear

Make sure there is no oil leaking from the differential gear case.

EBU31790

## Accelerator pedal

Check to see that the accelerator pedal operates correctly. It must operate smoothly and spring back to the idle position fully when released. Have a Yamaha dealer repair as necessary for proper operation.

5

EBU31800

## Seat belts

Make sure that the seat belts are not frayed, torn, stretched, or damaged. The seat belts must move smoothly when pulled out and retract on its own when released. The seat belts must also lock up when quickly pulled out. The latch plate should click securely into the buckle and release when the release button is pushed firmly. Wash off any dirt or mud that could affect operation. Have a Yamaha dealer repair as necessary for proper operation.

A crash can damage the restraint systems in your vehicle. A damaged restraint system may not properly protect the person using it, resulting in serious injury or death in a crash. To help make sure your restraint systems are working properly after a crash, have them inspected and any necessary replacements made as soon as possible.

EBU31810

## Passenger handhold

Check that the handhold bar and its supports are in good condition. Confirm that the locking pins are securely fastened, and then push and pull on the handhold to make sure that it is not loose.

EBU31820

## Steering

Park on level ground. Turn the steering wheel right and left. Check for excessive free play, abnormal noises, or a rough feeling. Have a Yamaha dealer repair as necessary for proper operation.

EBU35690

## Shift lever

The shift lever should move smoothly both forward and backwards and return to its original position after a gear change is made. Check the shift lever and transmission for roughness before starting off.

### TIP

---

The engine may need to be started for the transmission to engage gears.

---

EBU35700

## Fittings and fasteners

Always check the tightness of chassis and wheel fittings and fasteners before starting off. Take the vehicle to a Yamaha dealer or refer to the Service Manual for correct tightening torque.

EBU31840

## Instruments, lights and switches

Check that all instruments, lights and switches are working properly. Correct if necessary.

EBU31851

## Control cables

When driving in cold weather, always make sure all control cables work smoothly before starting off. **WARNING! Control cables can freeze in cold weather and you could be unable to control the vehicle.** [EWB03280]

EBU35331

## Tires

Check tire pressure regularly to make sure it is at the recommended specifications. Also check for wear and damage.

### Tire pressure

Use the tire pressure gauge to check and adjust tire pressures when the tires are cold. Tire pressures must be equal on both sides. **WARNING! Operation of this vehicle with improper tire pressure may cause severe injury or death from loss of control or rollover. Tire pressure below the minimum**

**specified could also cause the tire to dislodge from the rim under severe driving conditions.** [EWB03960]

Set tire pressures to the following specifications:

5

Recommended tire pressure:

Vehicle load:

0 - 195 kg (0 - 430 lb)

Front:

114.0 kPa (1.140 kgf/cm<sup>2</sup>, 16.5 psi)

Rear:

128.0 kPa (1.280 kgf/cm<sup>2</sup>, 18.5 psi)

Vehicle load:

195 kg - maximum (430 lb - maximum)

Front:

114.0 kPa (1.140 kgf/cm<sup>2</sup>, 16.5 psi)

Rear:

169.0 kPa (1.690 kgf/cm<sup>2</sup>, 24.5 psi)

Minimum tire pressure:

Vehicle load:

0 - 195 kg (0 - 430 lb)

Front:

110.0 kPa (1.100 kgf/cm<sup>2</sup>, 16.0 psi)

Rear:

124.0 kPa (1.240 kgf/cm<sup>2</sup>, 18.0 psi)

Vehicle load:

195 kg - maximum (430 lb - maximum)

Front:

110.0 kPa (1.100 kgf/cm<sup>2</sup>, 16.0 psi)

Rear:

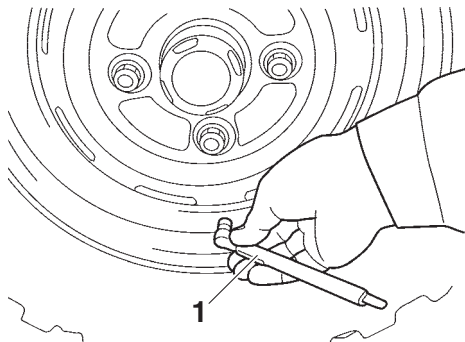
165.0 kPa (1.650 kgf/cm<sup>2</sup>, 24.0 psi)

Maximum vehicle load\*:

326.0 kg (719 lb)

\* Total weight of operator, passenger, accessories, and cargo

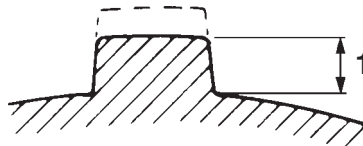
The tire pressure gauge is included as standard equipment. Make two measurements of the tire pressure and use the second reading. Dust or dirt in the gauge could cause the first reading to be incorrect.



1. Tire pressure gauge

## Tire wear limit

When the tire groove decreases to 3 mm (0.12 in) due to wear, replace the tire.



1. Tire wear limit

## OPERATION

Read the Owner's Manual carefully to become familiar with all controls. If there is a control or function you do not understand, ask your Yamaha dealer.



6

**Failure to familiarize yourself with the controls can lead to loss of control, which could cause an accident or injury.**

### Engine break-in

There is never a more important period in the life of your vehicle than the period between 0 and 20 hours.

For this reason, we ask that you read the following material carefully. Because the engine is brand new, you must not put an excessive load on it for the first several hours of operation. During the first 20 hours, the various

parts in the engine wear and polish themselves to achieve the correct operating clearances.

During this period, prolonged full-throttle operation or any condition that might result in excessive engine heating must be avoided. However, momentary (2–3 seconds maximum) full-throttle operation under load does not harm the engine.

Each full-throttle acceleration sequence should be followed with a substantial rest period for the engine, by cruising at lower r/min so the engine can rid itself of the temporary build-up of heat. If any abnormality is noticed during this period, consult a Yamaha dealer.

### 0–10 hours:

Avoid prolonged operation above 5300 r/min. Allow a cooling-off period of 5 to 10 minutes after every hour of operation. Vary the speed of the vehicle from time to time. Do not operate it at one set throttle position.



## 10–20 hours:

Avoid prolonged operation above 6300 r/min.

## After break-in:

The vehicle may now be operated normally.

EBU35341

## Starting the engine

1. Turn the key to “  ” (on).

ECB02290

### **NOTICE**


**The coolant temperature warning light and engine trouble warning light should come on, then go off.**

**The EPS warning light should come on, then go off when the engine is started.**


**If a warning light does not go off, see page 4-2 for the corresponding warning light circuit check.**

2. Press the brake pedal.
3. Shift the transmission into neutral.

- When the transmission is in the neutral position, the transmission gear display shows “N” and the neutral indicator light should come on.
- The engine can be started in any gear if the clutch pedal is applied. However, it is recommended to shift into neutral before starting the engine.

4. With your foot off the accelerator pedal, start the engine by turning the key to “  ” (start).

If the engine fails to start, release the key, and then try starting it again. Wait a few seconds before the next attempt. Each attempt should be as short as possible, to preserve battery energy. **NOTICE: Do not crank the engine more than 5 seconds on each attempt, or starter damage could occur. Wait at least 5 seconds between each operation of the electric starter to let it cool.** [ECB02140]

Do not turn the key to the “  ” (start) position with the engine running; otherwise, damage to the electric starter may result.

**TIP** \_\_\_\_\_  
For maximum engine life, never accelerate hard when the engine is cold!

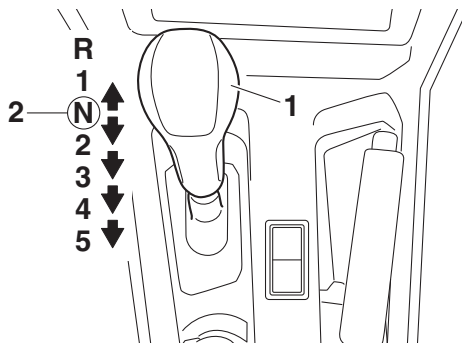
---

EBU35413

## Shift lever operation and reverse driving

This vehicle has a 5-speed forward and 1-speed reverse transmission. The transmission allows you to control the amount of power you have available at a given speed or for starting, accelerating, climbing hills, etc.

To shift into neutral, release the accelerator pedal, apply the clutch, and then repeatedly move the shift lever forward until it stops. When it stops, it will be in first gear. Move the shift lever rearward slightly to reach the neutral position, and then release the clutch.



1. Shift lever
2. Neutral position

ECB03040

### **NOTICE** \_\_\_\_\_

- **Even with the transmission in the neutral position, do not coast for long periods of time with the engine off. The transmission is properly lubricated only when the engine is running. Inadequate lubrication may damage the transmission.**

- **Always use the clutch when changing gears. The engine and drivetrain are not designed to withstand the shock of forced shifting and can be damaged by shifting without using the clutch.**
- 

### **To start out and accelerate**

1. Take your foot off the accelerator pedal, apply the brake, and then release the parking brake if applied. **NOTICE: Always take your foot off the accelerator pedal before shifting gears, otherwise damage to the engine and drivetrain may result.** [ECB02930]
2. Press the clutch pedal to disengage the clutch.
3. Shift into first gear by moving the shift lever forward. (The transmission gear display will show “1” when the transmission gears have properly engaged.)
4. Release the brake pedal.

5. Press the accelerator pedal gradually and at the same time, release the clutch pedal slowly.
6. Once the vehicle has attained adequate speed, release the accelerator pedal, and at the same time, quickly press the clutch pedal.
7. Shift the transmission into second gear. (Make sure not to shift the transmission into neutral.)
8. Press the accelerator pedal gradually and release the clutch pedal slowly.
9. Follow the same procedure when shifting to the next higher gear.

### **To decelerate**

When slowing down or stopping, release the accelerator pedal and press the brake pedal smoothly and evenly. As you slow down, shift to a lower gear. Be sure that the engine has sufficiently slowed before engaging a lower gear. Improper use of the brake or shifting

can cause the tires to lose traction, reducing control and increasing the possibility of an accident.

EWB00712

**! WARNING**

**Make sure the engine has sufficiently slowed before shifting to a lower gear. Engaging a lower gear when the engine speed is too high could make the wheels stop rotating and lose traction. This could cause loss of control, an accident and injury. It could also cause engine or drivetrain damage.**

6

### Recommended shift points

The recommended shift points during acceleration and deceleration are shown in the table below.

#### Shift up points:

1st → 2nd: 19 km/h (12 mi/h)

2nd → 3rd: 33 km/h (21 mi/h)

3rd → 4th: 44 km/h (27 mi/h)

4th → 5th: 53 km/h (33 mi/h)

#### Shift down points:

5th → 4th: 30 km/h (19 mi/h)

4th → 3rd: 17 km/h (11 mi/h)

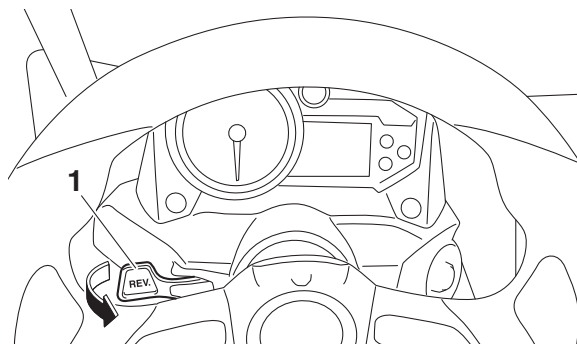
### To drive in reverse

EWB03300

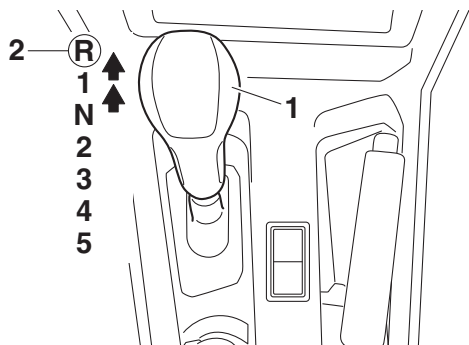
**! WARNING**

**Before you shift into reverse, make sure there are no obstacles or people behind you. When it is safe to proceed, go slowly. Hitting an obstacle or person could result in serious injury or death.**

1. Stop the vehicle and continue to apply the brake pedal.
2. Check behind you.
3. Press the clutch pedal, and pull the reverse gear lock lever.
4. Shift the transmission into reverse.



1. Reverse gear lock lever "REV."



- 1. Shift lever
- 2. Reverse gear










## TIP

When in reverse, the transmission gear display should show "R" and the reverse indicator light should come on.

5. Release the reverse gear lock lever and the parking brake, if applied.
6. Check behind you and then release the brake pedal.
7. Press the accelerator pedal gradually and release the clutch pedal slowly. Continue to watch to the rear while driving in reverse.

## Selecting the drive mode

The vehicle handles differently in each of the drive modes: “2WD”, “4WD” and “DIFF LOCK”. For example, the vehicle requires more effort to turn in “DIFF LOCK” than in “2WD”. Always stop the vehicle before changing the position of the On-Command drive knob. The drive mode icon changes according to the selected drive mode. The drive mode icon and the “DIFF LOCK” indicator light come on as follows:

Knob position	Indication	Drive mode
	(none)  / 	“2WD” (two-wheel drive): Drive power is supplied to the rear wheels only.
	 / 	“4WD” (four-wheel drive): Drive power is supplied to the front and rear wheels.
	 / 	“DIFF LOCK” (four-wheel drive with the differential gear locked): Drive power is supplied to the front and rear wheels and the differential gear is locked. Unlike in four-wheel drive, all wheels turn at the same speed.

## TIP

---

- When the knob is set to “DIFF LOCK” or “4WD”, the drive mode icon and the indicator light will flash until the differential gear is completely locked or unlocked.
  - Turning the steering wheel back and forth will help the differential gear lock to engage or disengage.
  - To protect the drivetrain from damage, vehicle speed is limited until the differential gear lock has properly transitioned.
-

## Parking

When parking, shift into first gear, stop the engine, and then apply the parking brake. See page 7-16 for when parking on a slope.

## Loading

6 Take extra precautions when driving with a load. Turn gradually and drive more slowly than you would without a load. The more weight you carry, the slower you should go. Although conditions vary, it is good practice to keep the vehicle in a low gear when you are carrying a heavy load. Follow these instructions and always use common sense and good judgment when carrying a load.



**WARNING**

**Improper loading or any pulling or towing will increase the risk of loss of control, an overturn, or other accident:**

- **Do not pull objects, other vehicles, or tow a trailer—this vehicle is not designed for such operation.**
- **Keep weight in the cargo bed centered side to side, and as low and as far forward as possible. Top-heavy loads increase the risk of overturn.**
- **Make sure that cargo is securely fastened down—a loose load could change handling unexpectedly or strike occupants.**
- **Do not exceed the maximum loading limit for the cargo bed: 136.0 kg (300 lb).**
- **Do not exceed the maximum loading limit for the vehicle: 326.0 kg (719 lb).**

---

### Cargo bed

Use the hooks equipped on the cargo bed to tie down loads. Make sure the load is securely fastened down, centered in the cargo bed, and not top-heavy. Never allow anyone to ride in the cargo bed.





## BASIC GUIDE FOR SAFE USE

As a YXZ1000R owner you are responsible for the safe and proper operation of this vehicle. Read this chapter and review the safety instructions in Chapter 2 before operating the vehicle. Use these chapters and the labels on the vehicle to instruct new operators and passengers. Do not allow anyone else to operate the vehicle or ride as a passenger if you are unsure that he/she is willing and able to follow these instructions.



### WARNING

**Follow these instructions to reduce your risk of an accident and to reduce the risk of serious injury or death in the event of an accident.**

---

## KNOW YOUR VEHICLE

This off-road vehicle will handle and maneuver differently from cars, ATVs, go-carts, golf-cars and grounds-keeping vehicles. The YXZ1000R has higher ground clearance and other features to handle rugged terrain, and, as a result, can overturn in situations where some vehicles may not. This would include vehicles made primarily for pavement, roads, improved paths, or grounds-keeping. If you do not use care in maneuvering the YXZ1000R, you can cause it to roll over even on flat, open areas.

Doing things with a YXZ1000R that some people do for thrills in other vehicles (such as sideways sliding, skidding, back-wheel sliding, or donuts) could lead to side rollovers. These rollovers can result in crushed limbs and other serious injuries or death to drivers or passengers.

As the owner/operator, it is your responsibility to protect yourself and your passenger from accidents, including rollovers. The YXZ1000R has many features, including a protective structure and seat belts, to help protect occupants, but the best way to avoid injuries is to avoid accidents. There is a risk of injury or death in any accident, even with these safety features.

### **Driver requirements**

- This vehicle is intended for use only by an operator 16 or older with a valid motor vehicle license. Check country laws for minimum age requirements.



- The driver must be able to place both feet flat on the floorboard while seated upright with his/her back against the backrest.
- Do not drive after using drugs or alcohol.
- Remove the ignition key when the vehicle is not in use to prevent unauthorized use of the machine.

Parents:

Many countries have implemented new motor vehicle licensing requirements for young drivers. These requirements are in response to the disproportionately high rate of crashes involving youthful drivers. As with automo-

biles, to promote safe driving behaviors, you should supervise younger drivers and consider setting rules and putting limits on how, when, and where the YXZ1000R can be used.

### Passenger requirements

This vehicle is designed for the operator and one passenger. Allowing passengers to ride improperly can lead to serious injury or death. As the operator, you are responsible for your passenger.

- Your passenger must be able to place both feet on the floorboard while seated upright with his/her back against the backrest.
- Your passenger must be able to reach and hold the passenger handhold.
- Allow only one passenger in the vehicle and only in the designated passenger seat. Do not carry any other passengers. Do not carry passengers in the cargo bed.
- Do not allow someone to ride as a passenger who has been using drugs or alcohol.

- Do not allow children who need child safety seats or booster seats in the YXZ1000R. The seat belt is not designed to restrain automotive child safety seats.

### Occupant protection system

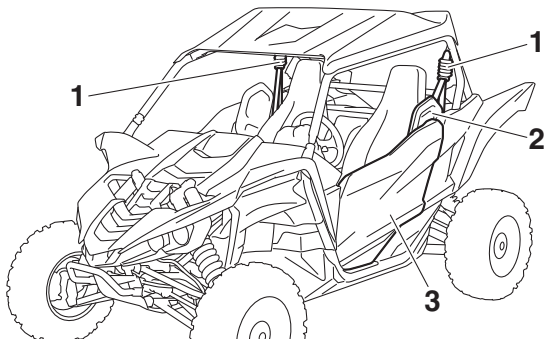
EWB03350



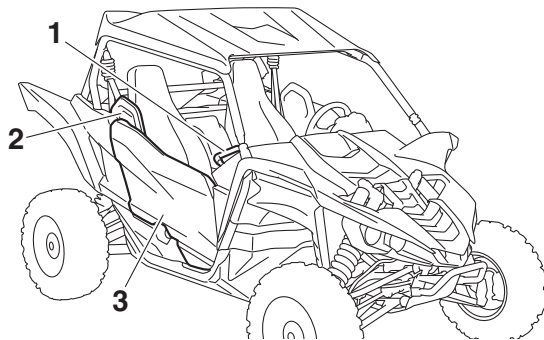
---

**Do not make changes to the occupant protection system. If you install aftermarket products or have your vehicle modified, you may put yourself and others at greater risk of serious injury or death. You are responsible for any such changes to the vehicle.**

---



1. Seat belt
2. Shoulder bolster
3. Door



1. Passenger handhold
2. Shoulder bolster
3. Door

The YXZ1000R comes with a variety of features to help reduce the risk of driver and passenger injury. These features work together, and when properly used, these features will help protect the occupants in the event of an accident. If these features are not used properly, they can cause injury.

## Protective structure

The vehicle cage/frame provides a protective structure that helps limit intrusions by branches or other objects and may reduce your risk of injury in accidents. The protective structure will not protect occupants in all rollovers or accidents.

Body parts outside of vehicle can be struck by passing objects or crushed during vehicle rollover. Do not put your hands or feet outside of the vehicle for any reason. Do not hold onto the door, cage/frame or shoulder bolster. Wear your seat belt and helmet.

If you think or feel that the vehicle may tip or roll, do not put your hands or feet outside the vehicle for any reason. You will not be able to stop the vehicle from tipping over using your body. Any part of your body (arms, legs, or head) outside of the vehicle can be crushed by the vehicle cage/frame.

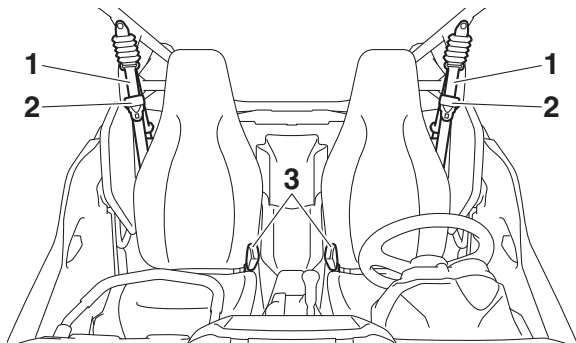
## Seat belts

Seat belts should be worn by the driver and passenger. The driver must be sure that the passenger is belted before driving.

- Be sure the seat belt is not twisted, is close-fitting across the hips and chest, and is latched securely.
- Do not wear the seat belt across the abdomen or stomach.
- Do not put the seat belt behind the back.

Failure to use seat belts properly may lead to an increased likelihood and severity of injury. An unbelted occupant may strike the interior of the vehicle, the protective structure, or other objects in an accident or during operation. You may also fall completely out or be partially ejected from the vehicle, which may lead to being crushed between the ground and the vehicle. Wearing the seat belt helps you remain in the vehicle – the doors and passenger handhold are not a substitute for using a seat belt.

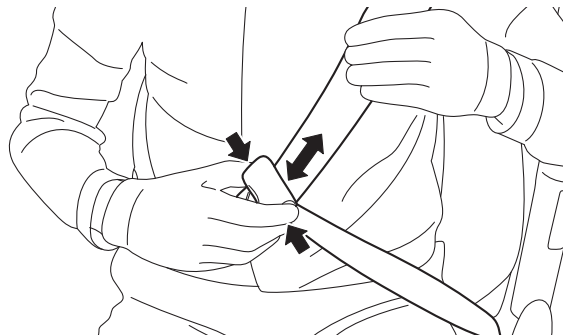
A crash can damage the restraint systems in your vehicle. A damaged restraint system may not properly protect the person using it, resulting in serious injury or death in a crash. To help make sure your restraint systems are working properly after a crash, have them inspected and any necessary replacements made as soon as possible.



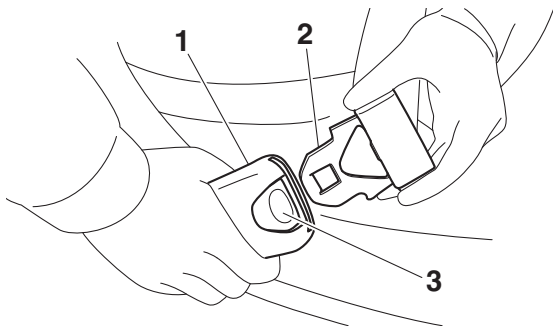
- 1. Seat belt
- 2. Latch plate
- 3. Buckle

To wear the seat belt properly, do the following:

1. Hold the latch plate as you pull the belt across your lap and chest. Make sure the belt is not twisted and is not caught on any portion of the vehicle, your clothing, or any equipment you are carrying.
2. If the latch plate is not positioned in the correct location along the seat belt, squeeze the latch plate ends together along its long edges in order to more easily adjust its location up or down along the length of the belt.



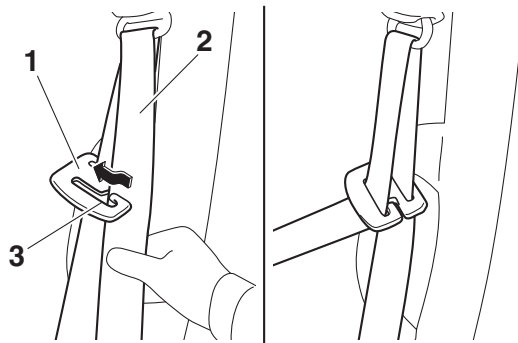
3. Push the latch plate into the buckle until it clicks. Pull up on the latch plate to make sure it is secure.



1. Buckle
2. Latch plate
3. Release button

4. Put the lap portion of the belt low on your hips. Pull up on the shoulder part so the belt is snug across your hips. Be sure the seat belt is not caught on the shoulder bolster or other object.

5. Position the shoulder belt over your shoulder and across your chest. The shoulder belt should fit against your chest. If it is loose, pull the belt out all the way and then let it retract.
6. Check if the seat belt shoulder position suits the size of the driver and passenger. To lower the belt, insert the belt into the seat belt height adjuster slot as shown. To raise the belt, remove the belt from the height adjuster slot.



1. Seat belt height adjuster
2. Seat belt
3. Slot

7. To release the buckle, firmly press the release button.

## Doors

The doors are designed to reduce the likelihood that you will stick your leg out to stop the vehicle from tipping over or for any other reason in a rollover. The doors may also reduce intrusion of objects into the occupant area. Make sure the door is securely latched before operation. Do not place your arm or hand on the door during operation. Your hand or arm may be struck by objects or crushed against outside objects or the ground during a rollover.



## Passenger handhold

The passenger handhold is provided to grip during operation to maintain proper position and balance. Holding onto the handhold helps to reduce the likelihood that the passenger puts a hand outside the vehicle if the vehicle begins to tip.

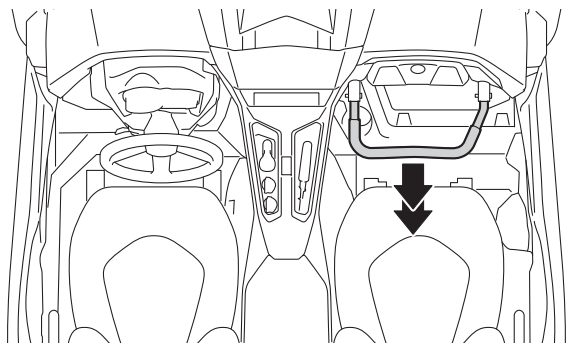
The driver should make sure the passenger is holding onto the handhold with both hands before operating the vehicle.





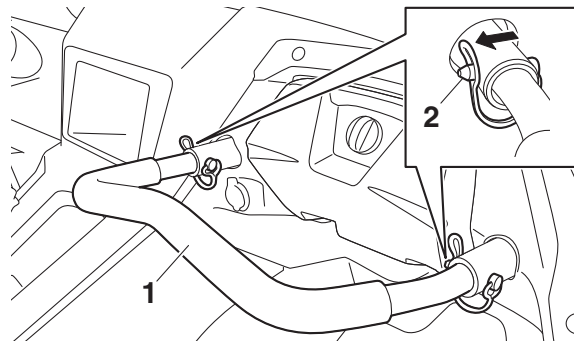
### Adjusting the handhold position

The handhold can be adjusted to one of three positions to suit the passenger's preference.



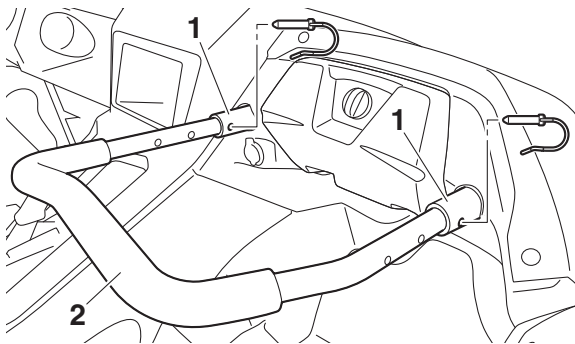
Adjust the handhold position as follows.

1. Remove the locking pins.



1. Passenger handhold
2. Locking pin

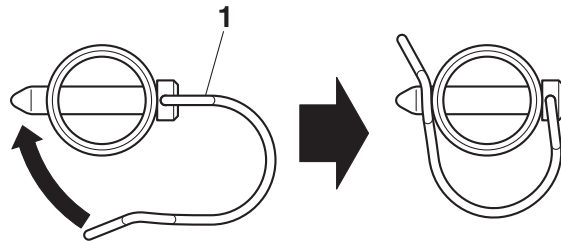
2. Slide the handhold to the desired position and align the holes in the handhold bar with the holes in the handhold supports.



- 1. Handhold support
- 2. Handhold bar

7

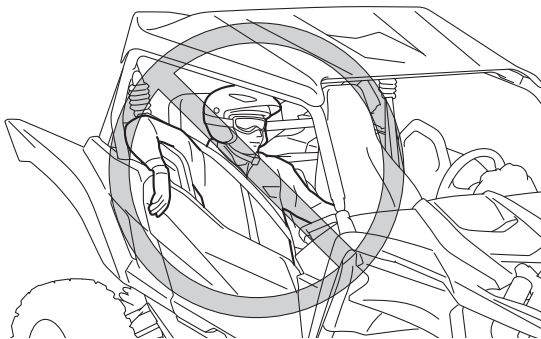
- 3. Insert the pins into the holes and secure them with the wire loops. Make sure that the handhold is properly secured before riding.



- 1. Wire loop

### **Seat and shoulder bolsters**

The seats and shoulder bolsters are designed to help keep you in the vehicle. Do not put your hand or arm on or outside of the shoulder bolster during operation. Your hand or arm may be struck by objects or crushed against outside objects or the ground during a rollover.



YXZ1000R hits a deep rut or large obstacle, the steering wheel could briefly jerk in one direction or back and forth as the tires and vehicle respond to the obstacle. This quick motion could injure your thumbs or wrist if your thumbs or hand(s) are inside the steering wheel. Grip the steering wheel so that your thumbs will not be hit by the spokes. As an example, see the illustration.

### **Floorboard**

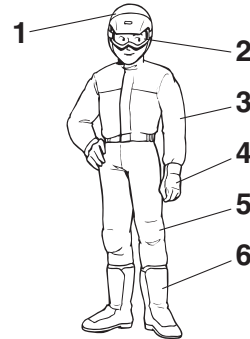
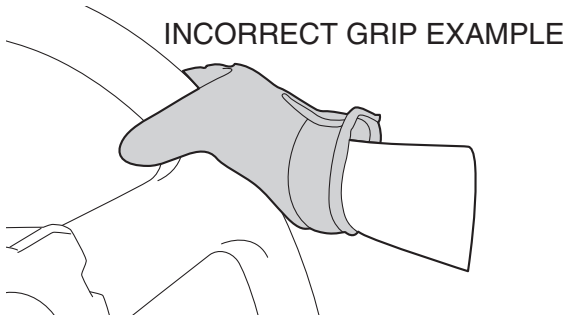
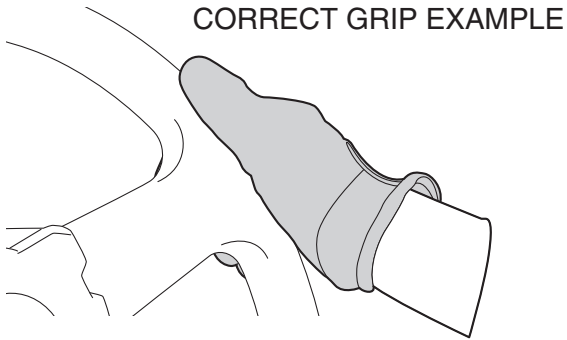
The floorboard allows you to brace your feet, which helps you keep your body in the vehicle in the event of an accident or rollover. Keep your feet on the floorboard during operation.

### **Steering wheel**

Keep both hands on the steering wheel except when using your right hand to operate the shift lever. Do not hold the steering wheel with your thumbs inside the rim. Keep your palms on the outside of the steering wheel. Similar to other off-road vehicles, if the

# LEARNING TO OPERATE YOUR VEHICLE

## Personal protective equipment



1. Approved motorcycle helmet
2. Eye protection
3. Long-sleeved shirt or jacket
4. Gloves
5. Long pants
6. Over-the-ankle boots

The driver and passenger should wear the following to reduce risk of injury in an accident:

- Approved motorcycle helmet that fits properly

- Eye protection (goggles, helmet face shield, or protective eyewear)
- Over-the-ankle boots, gloves, long-sleeved shirt or jacket, and long pants

An approved helmet and other personal protective equipment can help in a variety of ways, including:

- Reduce the severity of injuries if any part of you is outside the vehicle or protective structure during a rollover.
- Help protect you if outside objects intrude inside the vehicle during operation.
- Help protect you in the event of impact with an obstacle or other vehicle.

Wear eye protection when operating or riding the vehicle to reduce the risk of a serious accident or injury. Eye protection, such as a face shield or goggles, may reduce the risk of foreign material getting in your eyes and help prevent loss of vision.

### **Practice for new Yamaha YXZ1000R users**

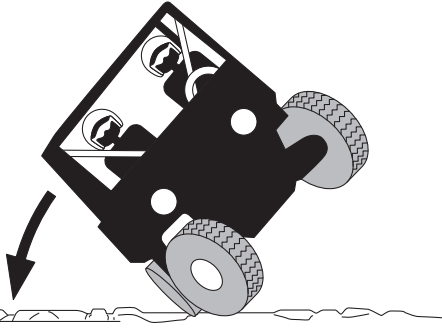
Become familiar with the performance characteristics of the vehicle in a large, flat area that is free of obstacles and other vehicles. Practice controlling the accelerator pedal, clutch, brakes, steering, and shift lever. Drive at slow speeds with gradual acceleration and smooth turns. Practice applying the accelerator pedal smoothly. Practice slowing down before turning. Practice maintaining a steady amount of throttle (accelerator pedal position) through the turn. Avoid higher speeds until you are thoroughly familiar with the operation and handling of the vehicle. Remember, driving aggressively or making abrupt maneuvers even on flat, open areas can cause side roll-overs.

## Getting ready to ride

Perform the pre-operation checks on page 5-1. Follow the instructions on page 6-2 when starting the engine.

## Turning

Use care in turns — turning the steering wheel too far or too fast can result in loss of control or a rollover. Slow down before entering turns. When making tight turns from a standstill or at slow speeds, avoid sudden or hard acceleration. Driving aggressively or making abrupt maneuvers even on flat, open areas can cause side rollovers. Avoid sideways sliding, skidding, or back-wheel sliding, and never do donuts. If you feel the vehicle begin to slide sideways or the back wheels slide during a turn, steer into the direction of the slide, if possible, and gradually let off the accelerator pedal to regain directional control and avoid rollover. For example, if you feel the back of the vehicle start to slide to your right, steer to the right.



**7** Become familiar with the way the vehicle handles in the various drive modes. Start off with two-wheel drive “2WD”, then four-wheel drive “4WD”, and finally four-wheel drive with the differential locked “DIFF LOCK”. Steering may take more effort in four-wheel drive with the differential locked “DIFF LOCK”. Also practice driving in reverse.

**TIP** \_\_\_\_\_  
Take the time to learn basic operation of the vehicle before driving at higher speeds or attempting more difficult maneuvers.  
\_\_\_\_\_

If you think or feel that the vehicle may tip or roll, keep your body completely inside the protective structure of the vehicle:

- Brace yourself by pressing your feet firmly on the floorboard and keep a firm grip on the steering wheel or passenger handhold.
- Do not put your hands or feet outside of the vehicle for any reason. Do not try to stop a tipover using your arm or leg.

### **Accelerating**

Avoid higher speeds and sudden or hard acceleration until you are thoroughly familiar with the operation of your vehicle. Avoid sudden or hard acceleration in any turn. Never drive faster than is safe for current conditions.

### **Shifting**

Follow the instructions on pages 6-2 and 6-3 for shifting, downshifting, and shifting into reverse until you are thoroughly familiar with each operation.

### **Braking**

When slowing down or stopping, take your foot off the accelerator pedal and press the brake pedal smoothly. Abrupt or improper use of the brakes can cause the tires to lose traction, reducing control of the vehicle and increasing the possibility of an accident.

Braking ability is affected by type of terrain. In most cases, gradual application of the brakes is more effective than abrupt braking, particularly on loose surfaces, such as gravel. Always allow for greater braking distance on rough, loose, or slippery surfaces.

Engine compression braking will also help slow the vehicle down. With the transmission still in gear, take your foot off the accelerator and allow the drivetrain and engine to absorb vehicle speed. Downshift as necessary. Application of the brakes provides additional stopping power.

## Leaving the vehicle

Do not get out of the vehicle while the engine is running. Take the key with when you leave the vehicle. There is a serious risk of injury or death because:

- Children or other unauthorized persons may attempt to operate the vehicle.
- Objects tossed into the vehicle may strike the shift lever and accidentally engage the transmission.
- The parking brake may not keep the vehicle from moving.

## Parking on a flat area

Even when parking on a seemingly flat area, it is good practice to leave the transmission in gear to prevent the vehicle from rolling. Therefore, shift into first or reverse gear, stop the engine and always apply the parking brake.

## Parking on a slope

The parking brake is located on the rear drive shaft. When the drivetrain is in “2WD” mode, only the rear wheels will be locked. Therefore, switch the drive mode to “DIFF LOCK” before stopping the engine to lock all four wheels when parking. In addition to the parking brake, leave the transmission in gear to help prevent the vehicle from rolling.


If you park on a hill that is too steep, the vehicle may roll out of control. Never park on hills that are so steep you cannot walk up them easily. If you must park on an incline, follow these instructions:

1. First, bring the vehicle to a stop and continue to apply the brake pedal.
2. Switch the drive mode to “DIFF LOCK” and shift into first gear when parking uphill, or reverse gear when parking downhill.



## TIP

You may need to turn the steering wheel left and right or release the clutch slightly to help the differential lock into place.

3. Stop the engine (turn the key to “” [off]).
4. With the brake pedal still being applied, set the parking brake.
5. Finally, get out of the vehicle and block the front and rear wheels with rocks or other objects.

## Loading

Be aware that vehicle load includes the total combined weight of the operator, passenger, any installed accessories, and any luggage or cargo brought on board or stored in the cargo bed. Make sure that the gross vehicle weight (vehicle load plus weight of the vehicle itself) never exceeds 1025 kg (2260 lb).

Vehicle loading can affect handling as well as the recommended tire pressure. See “Loading” on page 6-9 and “Tire pressure” on page 5-8.

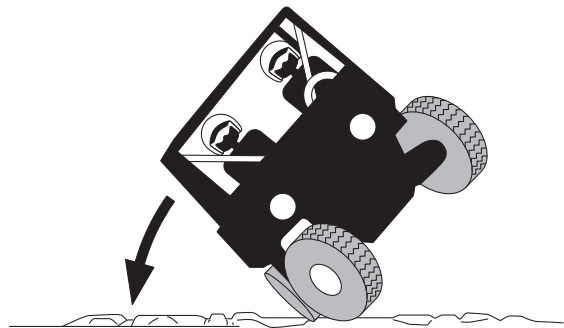
EBU35572

## Operation on different surfaces and terrains

Go slowly and proceed with caution when operating on an unfamiliar surface or terrain. This vehicle may handle differently in certain types of terrains or on certain surfaces. You may come upon hidden rocks, bumps, or holes without enough time to react. To avoid loss of control or rollover, always be alert to changing surfaces or terrain when operating the vehicle.

Your Yamaha YXZ1000R has higher ground clearance and other features to handle rugged terrain, and as a result, can overturn in situations where some vehicles may not. Abrupt maneuvers or aggressive driving can cause loss of control, including rollovers –

even on flat, open areas. These rollovers can result in crushed limbs and other serious injuries or death to drivers or passengers.



7

When operating the vehicle in areas which require the use of a safety flag, mount the safety flag pole on the flag pole bracket. See page 4-28.

### **Hills**

Choose carefully which hills you attempt to climb or descend. Avoid hills with slippery surfaces or those where you will not be able to see far enough ahead of you. Use common

sense and remember that some hills are too steep for you to climb or descend. Use proper driving techniques to avoid rearward, forward, or sideways rollovers on hills and slopes.

Drive straight up and down inclines, not across them. If crossing a hill is unavoidable, drive slowly. Turn downhill immediately if you feel the vehicle may tip.

### **If you think or feel the vehicle may tip or roll:**

- Brace yourself by pressing your feet firmly on the floorboard and keep a firm grip on the steering wheel or passenger handhold.
- Do not put your hands or feet outside of the vehicle for any reason.

### **Uphill**

Do not attempt to climb hills until you have mastered basic maneuvers on flat ground. Drive straight up hills, and avoid crossing the side of a hill, which increases your risk of roll-

over. Practice first on gentle slopes before attempting steeper hills. Always check the terrain carefully before attempting any hill.

To climb a hill, you need traction, momentum, and steady throttle. For more traction and control for climbing steeper and/or rougher slopes, shift into low gear and select “4WD” or “DIFF LOCK”. Travel fast enough to maintain momentum, but not so fast that you cannot react to changes in the terrain as you climb.

Slow down when you reach the crest of the hill if you cannot see clearly what is on the other side – there could be another person, an obstacle, or a sharp drop-off.

If you start to lose traction or momentum when climbing, and decide you will be unable to continue, use the brakes to stop. Do not attempt to turn the vehicle around. With your foot on the brake pedal, look behind you and plan your descent. Press the clutch pedal and shift the transmission into reverse so you can use engine braking to slow your descent. Re-

lease the brake and clutch, and then begin to coast down the hill. Use engine braking as much as possible, gently applying the brakes when necessary.

### **Downhill**

Check the terrain carefully before going downhill. When possible, choose a path that lets you drive your vehicle straight downhill. Choose your path carefully and drive slowly enough to be able to react to obstacles that you encounter.

For more traction and control, before going down steeper and/or rougher slopes, shift into low gear and select “4WD” or “DIFF LOCK”. Engine braking will help you go downhill slowly. Go as slowly as possible. If you begin to go too fast, apply the brakes gently. Avoid hard application of the brakes, which could cause the vehicle to slide.

If you are sliding or skidding, try to steer in the direction the vehicle is sliding, to regain control. For example, if you feel the back of the vehicle start to slide to your right, steer to the right.

If you must turn on the hill to avoid an obstacle, do so slowly and carefully. If the vehicle starts to tip, immediately steer in the downhill direction if there are no obstacles in your path. As you regain proper balance, gradually steer again in the direction you want to go.

7

### **Rough terrain**

Operation over rough terrain should be done with caution.

- Look for and avoid obstacles that could cause damage to the vehicle or could lead to a rollover or accident.
- Do not drive in a way that will get the vehicle airborne, as injury, loss of control, and damage to the vehicle could occur.

### **Pavement**

This vehicle is designed for off-road use only. Avoid paved surfaces. Turn gradually and go slowly if you must drive on pavement.

### **Water**

If you must cross shallow, slow-moving water up to the depth of the vehicle's floorboard, choose your path carefully to avoid sharp drop-offs, large rocks, or slippery surfaces that could cause the vehicle to overturn. Never operate through water deeper than 39 cm (15 in) or fast-flowing water. Choose a path where both your entrance into and exit point from the water is a gradual incline. Determine the water depth and currents before crossing. Operating this vehicle through deep or fast-flowing water can lead to loss of control or overturn. To reduce your risk of drowning or other injuries, use care when crossing through water.

Wet brakes may have reduced effectiveness. After leaving the water, test your brakes. If necessary, apply the brakes several times to let friction dry out the linings.

ECB02950

### **NOTICE**

---

**After driving your vehicle in water, be sure to drain the trapped water by removing the check hoses at the bottom of the air filter case. Wash the vehicle in fresh water if it has been operated in salt water or muddy conditions.**

---

### **Loose terrain/slippery terrain**

When driving on slippery terrain, including wet, muddy, or icy conditions, as well as loose gravel, be aware that you could begin skidding or sliding. To avoid loss of control, slow down and put the vehicle in four-wheel drive before driving on a slippery surface and plan your path to avoid making abrupt maneuvers.

If you feel the vehicle begin to slide sideways or the back wheels slide during a turn, steer into the direction of the slide if possible, to regain directional control. For example, if you feel the back of the vehicle start to slide to your right, steer to the right.

### **Brush or wooded areas**

When operating in areas with brush or trees, watch carefully on both sides and above the vehicle for obstacles such as branches that the vehicle might hit, causing an accident. Watch for brush that might enter the vehicle as you pass and strike you or the passenger. Never hold onto the cage/frame. The passenger should always hold onto the passenger handhold with both hands.

The muffler and other engine parts become extremely hot during operation and remain hot after the engine has stopped. To reduce the risk of fire during operation or after leaving the vehicle, do not let brush, grass and other materials collect under the vehicle, near the

muffler or exhaust pipe, or next to other hot parts. Check under the vehicle after operating in areas where combustible materials may have collected. Do not idle or park the vehicle in long dry grass or other dry ground cover.

### **Encountering obstacles**

If you cannot go around an obstacle, such as a fallen tree or a ditch, stop the vehicle where it is safe to do so. Set the parking brake and get out to inspect the area thoroughly. Look from both your approach side and exit side. If you believe you can continue safely, choose the path that will allow you to get over the obstacle and at as close to a right angle as possible to minimize vehicle tipping. Go only fast enough to maintain your momentum but still give yourself plenty of time to react to changes in conditions.

If there is any question about your ability to maneuver safely over the obstacle, you should turn around if the ground is flat and you have the room or back up until you find a less difficult path.

## PERIODIC MAINTENANCE AND ADJUSTMENT

Periodic inspection, adjustment, and lubrication will keep your vehicle in the safest and most efficient condition possible. Safety is an obligation of the vehicle owner/operator. The most important points of vehicle inspection, adjustment, and lubrication are explained on the following pages.

### WARNING

**Failure to properly maintain the vehicle or performing maintenance activities incorrectly may increase your risk of injury or death during service or while using the vehicle. If you are not familiar with vehicle service, have a Yamaha dealer perform the service.**

### WARNING

**Turn off the engine when performing maintenance unless otherwise specified.**

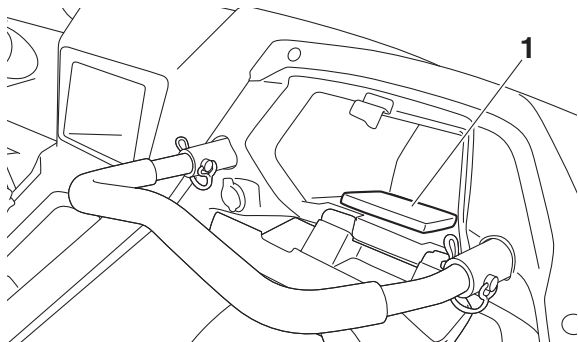
- **A running engine has moving parts that can catch on body parts or clothing and electrical parts that can cause shocks or fires.**
- **Running the engine while servicing can lead to eye injury, burns, fire, or carbon monoxide poisoning - possibly leading to death. See page 2-6 for more information about carbon monoxide.**

### WARNING

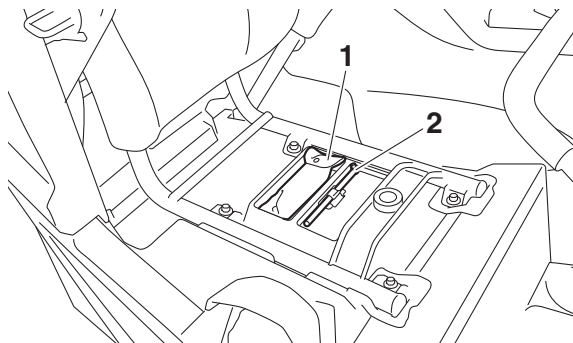
**Brake discs, calipers, drums, and linings can become very hot during use. To avoid possible burns, let brake components cool before touching them.**

## Owner's manual and tool kit

You are recommended to put this owner's manual in the vinyl bag and always carry it in the glove compartment as shown. Put the owner's tool kit and tire pressure gauge under the passenger seat.



1. Owner's manual



1. Owner's tool kit
2. Tire pressure gauge

The service information included in this manual is intended to provide you, the owner, with the necessary information for completing your own preventive maintenance and minor repairs.

The tools provided in the owner's tool kit are sufficient for this purpose, except that a torque wrench is also necessary to properly tighten nuts and bolts.



If you do not have a torque wrench available during a service operation requiring one, take your vehicle to a Yamaha dealer to check the torque settings and adjust them as necessary.

## Periodic maintenance chart for the emission control system

- For vehicles equipped with an odometer or an hour meter, follow the km (mi) or hours maintenance intervals. However, keep in mind that if the vehicle isn't used for a long period of time, the month maintenance intervals should still be followed.
- Items marked with an asterisk should be performed by a Yamaha dealer as they require special tools, data and technical skills.

NO.	ITEM	ROUTINE	Whichever comes first ⇒	INITIAL			EVERY		
				month	1	3	6	6	12
				km (mi)	320 (200)	1300 (800)	2500 (1600)	2500 (1600)	5000 (3200)
				hours	20	80	160	160	320
1	* Fuel line	<ul style="list-style-type: none"> <li>• Check fuel hose for cracks or damage.</li> <li>• Replace if necessary.</li> </ul>			√	√	√		
2	* Valves	<ul style="list-style-type: none"> <li>• Check valve clearance.</li> <li>• Adjust if necessary.</li> </ul>	√		√	√	√		
3	* Spark plugs	<ul style="list-style-type: none"> <li>• Check condition.</li> <li>• Adjust gap and clean.</li> <li>• Replace if necessary.</li> </ul>	√	√	√	√	√		
4	* Breather system	<ul style="list-style-type: none"> <li>• Check breather hose for cracks or damage.</li> <li>• Replace if necessary.</li> </ul>			√	√	√		
5	* Fuel injection	<ul style="list-style-type: none"> <li>• Adjust synchronization.</li> </ul>	√	√	√	√	√		

NO.	ITEM	ROUTINE	Whichever comes first ⇒	INITIAL			EVERY		
				month	1	3	6	6	12
				km (mi)	320 (200)	1300 (800)	2500 (1600)	2500 (1600)	5000 (3200)
hours	20	80	160	160	320				
6	*	<b>Exhaust system</b>	<ul style="list-style-type: none"> <li>• Check for leakage.</li> <li>• Check for looseness and tighten all screw clamps and joints if necessary.</li> <li>• Replace gasket(s) if necessary.</li> </ul>			√	√	√	
7	*	<b>Air induction system</b>	<ul style="list-style-type: none"> <li>• Check the air cut-off valve, reed valve, and hose for damage.</li> <li>• Check condition and clean or replace if necessary.</li> </ul>			√	√	√	
8		<b>Spark arrester</b>	<ul style="list-style-type: none"> <li>• Clean.</li> </ul>			√	√	√	

## General maintenance and lubrication chart

NO.	ITEM	ROUTINE	Whichever comes first ➔	INITIAL			EVERY		
				month	1	3	6	6	12
				km (mi)	320 (200)	1300 (800)	2500 (1600)	2500 (1600)	5000 (3200)
hours	20	80	160	160	320				
1	*	<b>Cooling system</b>	<ul style="list-style-type: none"> <li>• Check coolant leakage.</li> <li>• Repair if necessary.</li> </ul>	√	√	√	√	√	
				<ul style="list-style-type: none"> <li>• Change coolant.</li> </ul>	Every 2 years				
2		<b>Primary air filter (foam)</b>	<ul style="list-style-type: none"> <li>• Clean.</li> <li>• Replace if necessary.</li> </ul>	Every 300–600 km (200–400 mi) (more often in wet or dusty conditions)					
	*	<b>Secondary air filter (paper)</b>	<ul style="list-style-type: none"> <li>• Replace.</li> </ul>	Every 2000–5000 km (1200–3000 mi) (more often in wet or dusty conditions)					
3		<b>Engine oil</b>	<ul style="list-style-type: none"> <li>• Change (warm engine before draining).</li> </ul>	√		√	√	√	
4		<b>Engine oil filter cartridge</b>	<ul style="list-style-type: none"> <li>• Replace.</li> </ul>	√		√		√	
5		<b>Transmission oil</b>	<ul style="list-style-type: none"> <li>• Check oil level and for leakage.</li> </ul>	√	√	√	√	√	
			<ul style="list-style-type: none"> <li>• Change.</li> </ul>	√		√	√	√	
6		<b>Final gear oil/Differential gear oil</b>	<ul style="list-style-type: none"> <li>• Check oil level and for leakage.</li> </ul>	√	√	√	√	√	
			<ul style="list-style-type: none"> <li>• Change.</li> </ul>	√				√	

NO.	ITEM	ROUTINE	Whichever comes first ⇒	INITIAL			EVERY		
				month	1	3	6	6	12
				km (mi)	320 (200)	1300 (800)	2500 (1600)	2500 (1600)	5000 (3200)
hours	20	80	160	160	320				
7	*	<b>Clutch</b>	<ul style="list-style-type: none"> <li>• Check operation and for fluid leakage.</li> <li>• Correct if necessary.</li> </ul>	√	√	√	√	√	
8	*	<b>Brake system</b>	<ul style="list-style-type: none"> <li>• Check operation, brake pad wear, and for fluid leakage.</li> <li>• Correct if necessary, replace pads if worn to the limit.</li> </ul>	√	√	√	√	√	
9	*	<b>Parking brake</b>	<ul style="list-style-type: none"> <li>• Check operation and free play/brake pad wear.</li> <li>• Correct if necessary. Replace pads if worn to the limit.</li> </ul>	√	√	√	√	√	
10	*	<b>Brake fluid and internals</b>	<ul style="list-style-type: none"> <li>• Change the brake fluid.</li> <li>• Replace internal components of master cylinder and calipers.</li> </ul>	Every 2 years					
11	*	<b>Brake hoses</b>	<ul style="list-style-type: none"> <li>• Replace.</li> </ul>	Every 4 years					
12	*	<b>Accelerator pedal</b>	<ul style="list-style-type: none"> <li>• Check operation and free play.</li> </ul>	√	√	√	√	√	
13	*	<b>Reverse lock release cable</b>	<ul style="list-style-type: none"> <li>• Check operation and adjust or replace if necessary.</li> </ul>			√	√	√	

NO.	ITEM	ROUTINE	Whichever comes first ⇒	INITIAL			EVERY		
				month	1	3	6	6	12
				km (mi)	320 (200)	1300 (800)	2500 (1600)	2500 (1600)	5000 (3200)
				hours	20	80	160	160	320
14	*	<b>Wheels</b>	<ul style="list-style-type: none"> <li>• Check balance, runout, and for damage.</li> <li>• Balance wheel if necessary.</li> <li>• Replace wheel if damaged or if runout is over specified limits.</li> </ul>	√		√	√	√	
			<ul style="list-style-type: none"> <li>• Check and tighten the bead lock (for equipped models).</li> </ul>	Every 500 km (300 mi)					
15	*	<b>Wheel bearings</b>	<ul style="list-style-type: none"> <li>• Check bearing assemblies for looseness/damage.</li> <li>• Replace if damaged.</li> </ul>	√		√	√	√	
16	*	<b>Front and rear suspension</b>	<ul style="list-style-type: none"> <li>• Check operation and for oil leakage.</li> <li>• Correct if necessary.</li> </ul>			√		√	
17	*	<b>Steering system</b>	<ul style="list-style-type: none"> <li>• Check operation and for looseness. Replace if damaged.</li> <li>• Check toe-in. Adjust if necessary.</li> </ul>	√	√	√	√	√	
18	*	<b>Stabilizer bushes</b>	<ul style="list-style-type: none"> <li>• Check for cracks or other damage, and replace if necessary.</li> </ul>			√	√	√	
19	*	<b>Upper and lower arm pivots</b>	<ul style="list-style-type: none"> <li>• Lubricate with lithium-soap-based grease.</li> </ul>			√	√	√	
20	*	<b>Rear knuckle upper and lower pivots</b>	<ul style="list-style-type: none"> <li>• Lubricate with lithium-soap-based grease.</li> </ul>			√	√	√	

NO.	ITEM	ROUTINE	Whichever comes first ⇒	INITIAL			EVERY		
				month	1	3	6	6	12
				km (mi)	320 (200)	1300 (800)	2500 (1600)	2500 (1600)	5000 (3200)
hours	20	80	160	160	320				
21	* Drive shaft universal joint	• Lubricate with lithium-soap-based grease.				√	√	√	
22	* Engine mount	• Check for cracks or damage. • Check bolt tightness.				√	√	√	
23	* Front and rear axle boots	• Check for cracks or other damage, and replace if necessary.		√				√	
24	* Fittings and fasteners	• Check all chassis fittings and fasteners. • Correct if necessary.		√	√	√	√	√	

EBU35070

8

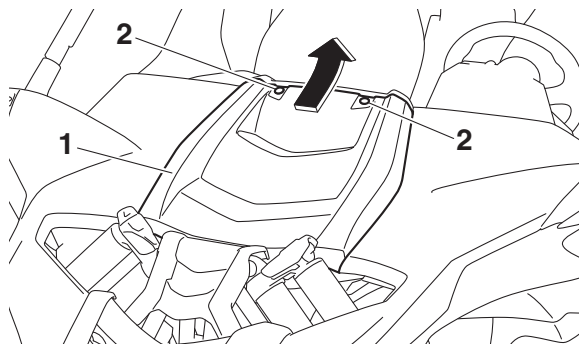
## TIP

- Inspect and service the vehicle more frequently if you drive aggressively or in severe conditions such as rain, mud, sand or unusually dusty areas.
- Service the clutch system in similar fashion and at similar intervals to the brake system.
- The service items contained herein should not be considered exhaustive, therefore:
  - have your YXZ1000R checked and serviced by your Yamaha dealer at regular intervals.
  - replace any damaged or visibly worn part immediately.

## Hood

### To remove

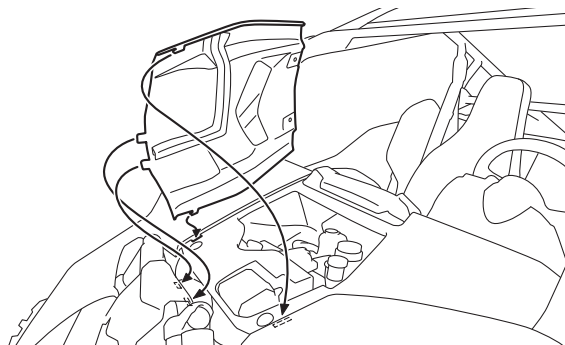
Remove the bolts, and then pull the hood off as shown.



1. Hood
2. Bolt

### To install

Place the hood in the original position, and then install the bolts.

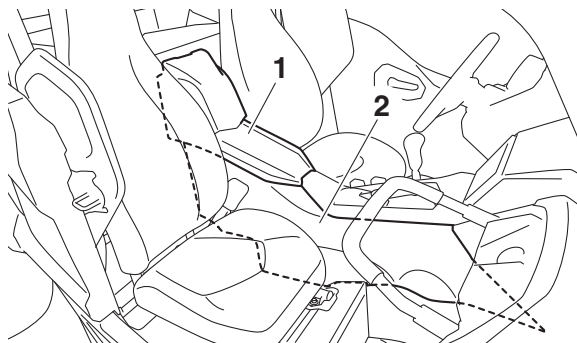


EBU35093

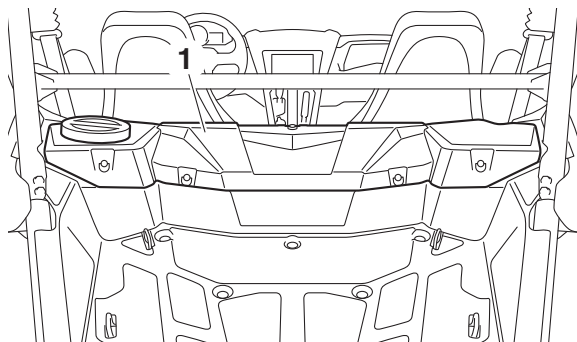
## Panels

The panels shown need to be removed to perform some of the maintenance jobs described in this chapter. Refer to this section each time a panel needs to be removed and installed.





1. Panel A
2. Panel B

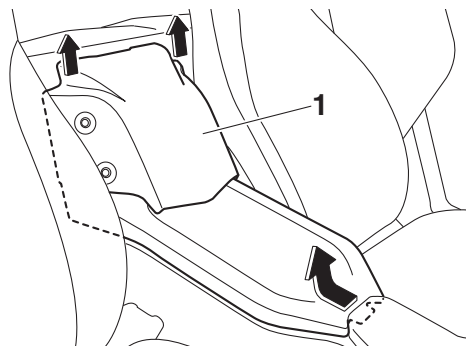


1. Panel C

## Panel A

To remove the panel

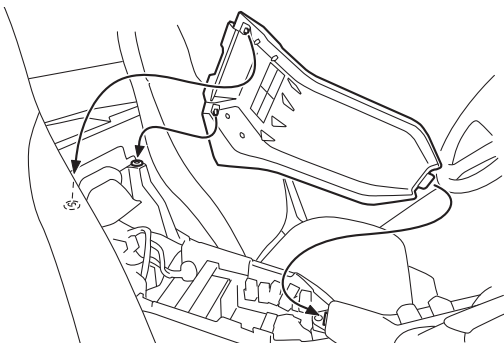
Remove the panel by pulling it up as shown.



1. Panel A

To install the panel

Place the panel in the original position.

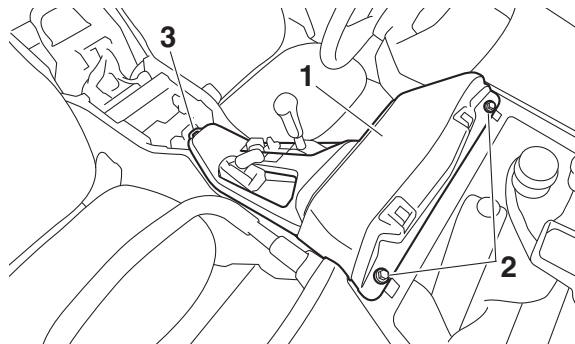


## Panel B

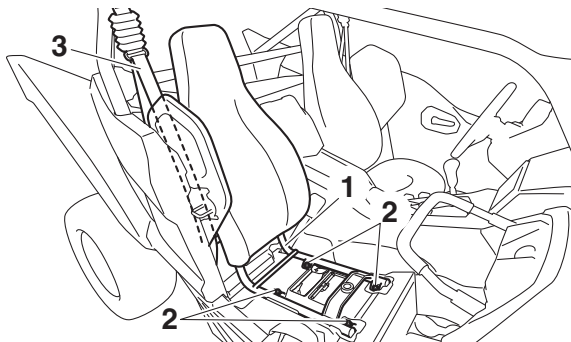
### To remove the panel

8

1. Remove the hood. (See page 8-10.)
2. Remove panel A.
3. Remove the top cover by removing the quick fastener screw and the bolts.

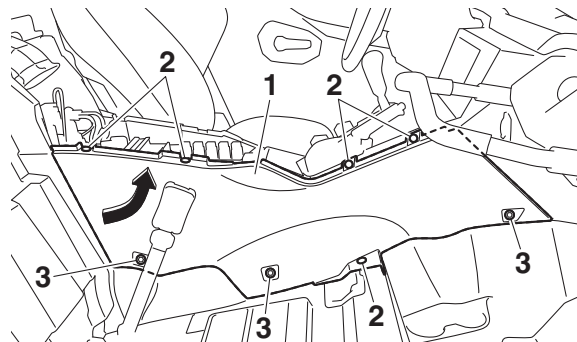


1. Top cover
2. Bolt
3. Quick fastener screw
4. Remove the passenger seat cushion. (See page 4-20.)
5. Remove the passenger seat by removing the bolts.



1. Passenger seat
2. Bolt
3. Seat belt

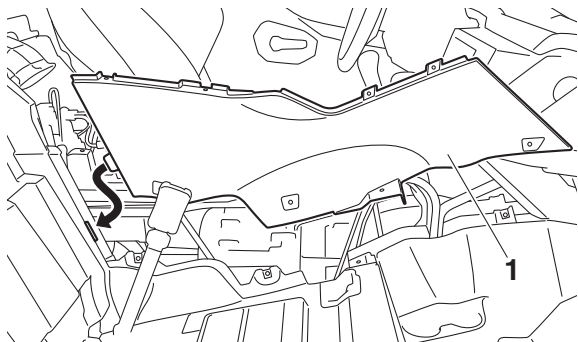
6. Remove the quick fastener screws and the bolts, and then pull the panel off as shown.



1. Panel B
2. Quick fastener screw
3. Bolt

#### To install the panel

1. Place the panel in the original position, and then install the bolts and the quick fastener screws.



1. Panel B

2. Install the passenger seat by installing the bolts, and then tighten them to the specified torque.

8

Tightening torque:

Passenger seat bolt:

32 Nm (3.2 m·kgf, 23 ft·lbf)

**TIP**

- Make sure that the seat frame is properly secured.

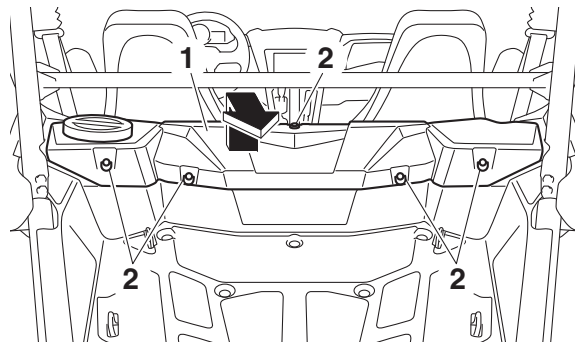
- Place the passenger seat belt in the original position.

3. Install the passenger seat cushion.
4. Install the top cover by installing the bolts and quick fastener screw.
5. Install panel A and the hood.

**Panel C**

To remove the panel

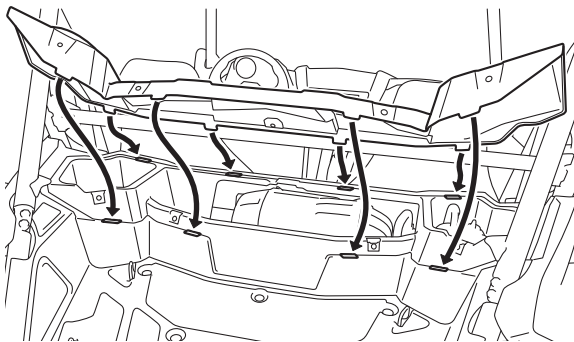
Remove the quick fastener screws, and then pull the panel off as shown.



1. Panel C  
2. Quick fastener screw

### To install the panel

Place the panel in the original position, and then install the quick fastener screws.



EBU35433

## **Engine oil and oil filter**

Check the engine oil level before each operation. In addition, change the oil and replace the filter at the intervals specified in the general maintenance and lubrication chart.

### **To check the engine oil level**

1. Park the vehicle on a level surface.
2. Remove panel C (page 8-10).

3. Start the engine and warm it up to a normal operating temperature (the engine oil temperature should reach 60 °C [140 °F]), then let the engine idle for a minimum of ten seconds before turning the engine off.

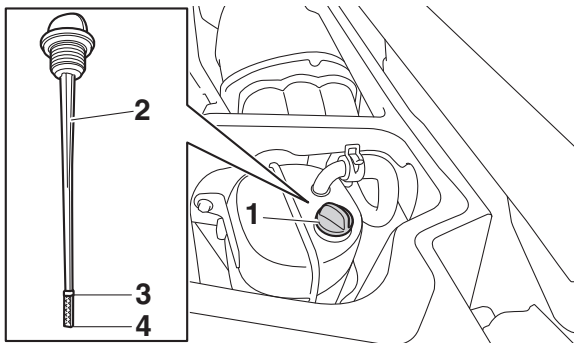
#### **TIP**

If the engine is cold, take the vehicle for a short drive or let it idle for approximately ten minutes before checking the engine oil level.

4. Remove the engine oil tank filler cap and wipe the dipstick with a clean rag.
5. Insert the dipstick back into the oil tank (without screwing it in), and then remove it again to check the oil level.

#### **TIP**

The engine oil level should be between the tip of the dipstick and the maximum level mark.



1. Engine oil tank filler cap
2. Engine oil dipstick
3. Maximum level mark
4. Tip of the engine oil dipstick

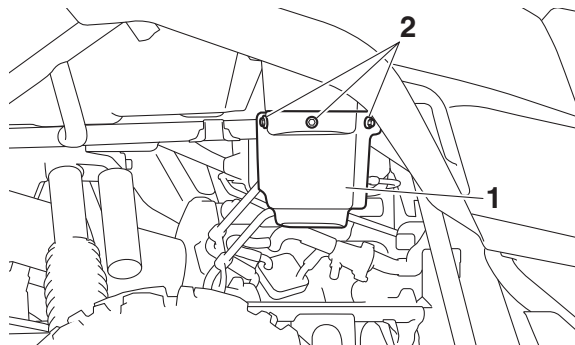
**8**

6. If the oil level is not between the tip of the dipstick and the maximum level mark, add sufficient oil of the recommended type to raise it to the correct level.
7. Install the engine oil tank filler cap.
8. Install the panel.

### To change the engine oil

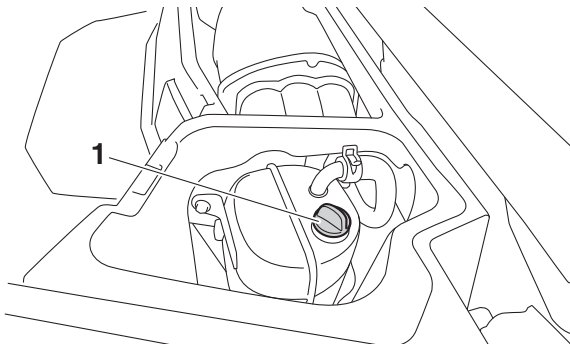
1. Park the vehicle on a level surface.
2. Remove panel C. (See page 8-10.)

3. Remove the engine oil tank cover by removing the bolts.

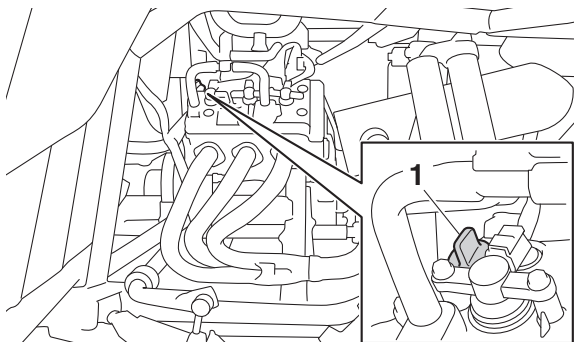


1. Engine oil tank cover
2. Bolt

4. Start the engine, warm it up for several minutes, and then turn it off.
5. Place an oil pan (or use a trough or funnel) beneath the oil tank to collect the used engine oil.
6. Remove the engine oil tank filler cap and the cylinder head cap.

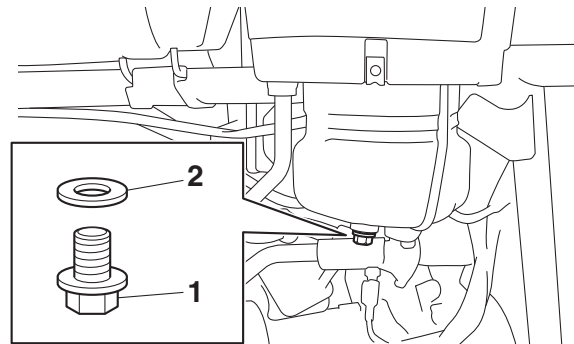


1. Engine oil tank filler cap



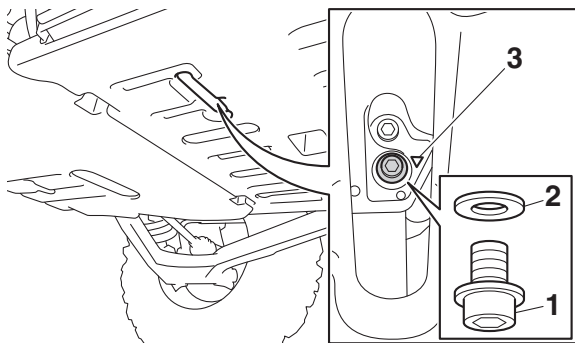
1. Cylinder head cap

7. Remove the oil tank drain bolt and its gasket to drain the engine oil from the oil tank.



1. Engine oil tank drain bolt
2. Gasket

8. Place an oil pan under the engine to collect the used engine oil.
9. Remove the engine oil drain bolt and its gasket to drain the oil from the engine.



1. Engine oil drain bolt
2. Gasket
3. "▽" mark

8

**TIP**  
A "▽" mark is stamped on the crankcase near the engine oil drain bolt for easy identification.

10. Install the engine oil drain bolt, engine oil tank drain bolt and their new gaskets, and then tighten the bolts to the specified torques.

Tightening torques:

Engine oil drain bolt:

10 Nm (1.0 m·kgf, 7.2 ft·lbf)

Engine oil tank drain bolt:

16 Nm (1.6 m·kgf, 12 ft·lbf)

11. Add 2.00 L (2.11 US qt, 1.76 Imp.qt) of the recommended engine oil to the oil tank, and then install and tighten the engine oil tank filler cap and the cylinder head cap.
12. Start the engine, warm it up for several minutes, and then turn it off.
13. Remove the engine oil tank filler cap, and then add sufficient oil of the recommended type to raise it to the maximum level mark on the dipstick.



Recommended engine oil:

See page 10-1.

Oil quantity:

Oil change only:

2.50 L (2.64 US qt, 2.20 Imp.qt)

Oil change and filter replacement:

2.70 L (2.85 US qt, 2.38 Imp.qt)

### TIP

Be sure to wipe off spilled oil on any parts after the engine and exhaust system have cooled down.

ECB03020

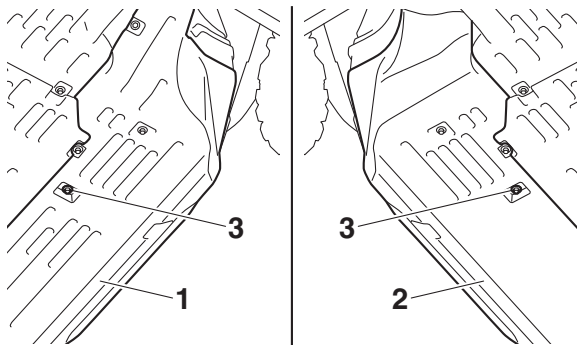
### NOTICE

- **Do not use oils with a diesel specification of “CD” or oils of a higher quality than specified. In addition, do not use oils labeled “ENERGY CONSERVING II” or higher.**
- **Make sure that no foreign material enters the oil tank.**

14. Install and tighten the engine oil tank filler cap.
15. Start the engine, and then let it idle for several minutes while checking it for oil leakage. If oil is leaking, immediately turn the engine off and check for the cause.
16. Turn the engine off, wait at least ten minutes, and then check the oil level and correct it if necessary.
17. Install the engine oil tank cover by installing the bolts.
18. Install the panel.

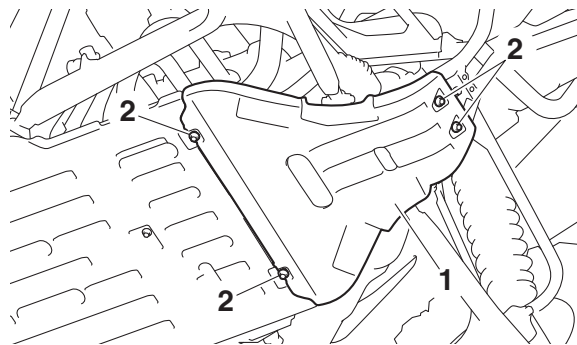
### To change the engine oil and oil filter

1. Park the vehicle on a level surface.
2. Loosen the left and right side panels by removing the bolt as shown.



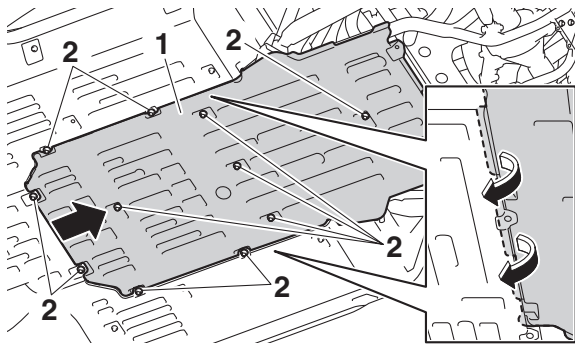
1. Left side panel
2. Right side panel
3. Bolt

3. Remove the rear bottom panel by removing the bolts.



1. Rear bottom panel
2. Bolt

4. Remove the bolts, and then slide the center bottom panel rearward to remove it.



- 1. Center bottom panel
- 2. Bolt

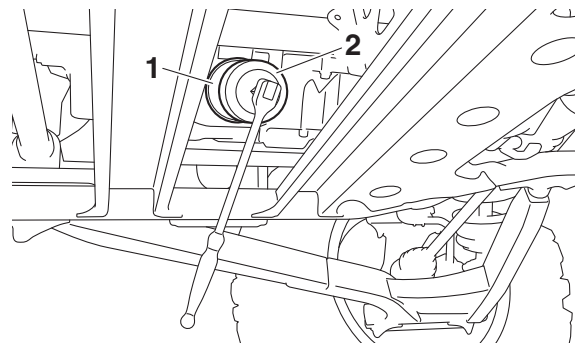
5. Drain the engine oil from the both the oil tank and the engine.

**TIP**

Refer to steps 2–9 of the “To change the engine oil” section for the oil draining procedure.

6. Remove the oil filter cartridge with an oil filter wrench. Make sure that the O-ring is removed together with the oil filter cartridge. If the O-ring remains attached to the crankcase, oil leakage may occur.

**TIP**  
An oil filter wrench is available from a Yamaha dealer.

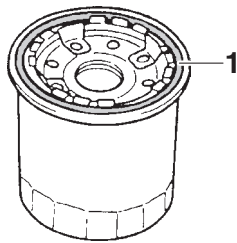


- 1. Oil filter cartridge
- 2. Oil filter wrench

7. Apply a light coat of clean engine oil to the O-ring of the new oil filter cartridge.

**TIP**

Make sure that the O-ring is properly seated.



1. O-ring

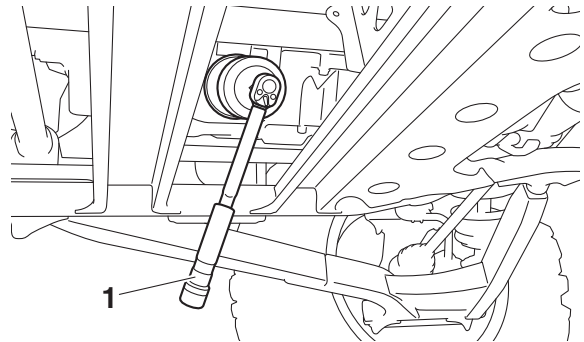
8. Install the new oil filter cartridge with an oil filter wrench, and then tighten it to the specified torque with a torque wrench.

8

Tightening torque:

Oil filter cartridge:

17 Nm (1.7 m·kgf, 12 ft·lbf)



1. Torque wrench

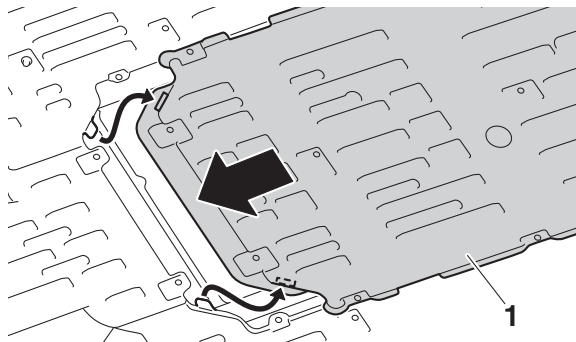
9. Install the drain bolts, and then add the specified amount of the recommended engine oil. Check the engine oil level and the vehicle for oil leakage. Install the engine oil tank cover and panel C.

**TIP** \_\_\_\_\_

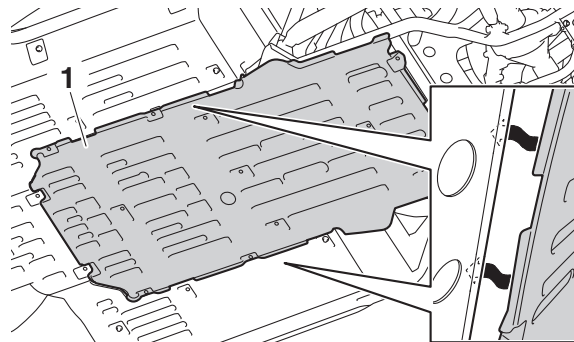
Refer to steps 10–18 of the “To change the engine oil” section for the oil filling procedure.

---

10. Slide the front portion of the center bottom panel into place as shown, and then hook the left and right sides of the center bottom panel into place.

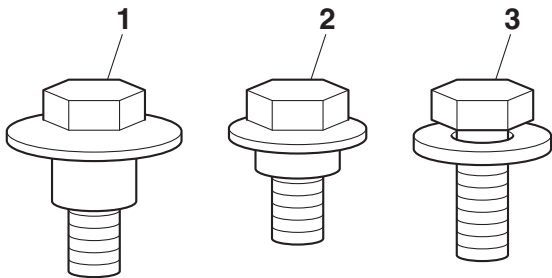


1. Center bottom panel

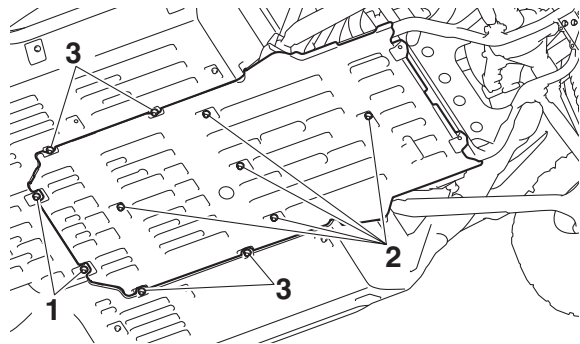


1. Center bottom panel

11. Install the center bottom panel bolts, and then tighten them to the specified torque.



- 1. Bolt A
- 2. Bolt B
- 3. Bolt C



- 1. Bolt A
- 2. Bolt B
- 3. Bolt C

**Tightening torques:**

**Bolt A:**

7 Nm (0.7 m·kgf, 5.1 ft·lbf)

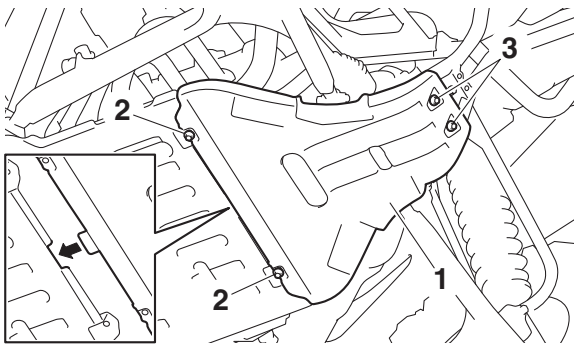
**Bolt B:**

7 Nm (0.7 m·kgf, 5.1 ft·lbf)

**Bolt C:**

7 Nm (0.7 m·kgf, 5.1 ft·lbf)

- 12. Install the rear bottom panel by installing the bolts, and then tightening them to the specified torque.



1. Rear bottom panel
2. Bolt A
3. Bolt B

**Tightening torques:**

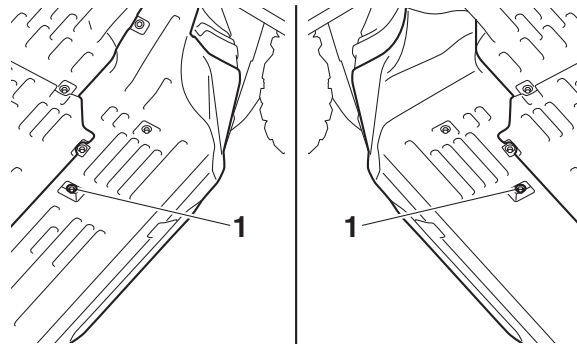
**Bolt A:**

7 Nm (0.7 m·kgf, 5.1 ft·lbf)

**Bolt B:**

7 Nm (0.7 m·kgf, 5.1 ft·lbf)

13. Install the side panel bolts, and then tighten them to the specified torque.



1. Bolt B

**Tightening torque:**

**Bolt B:**

7 Nm (0.7 m·kgf, 5.1 ft·lbf)

EBU35103

**Transmission oil**

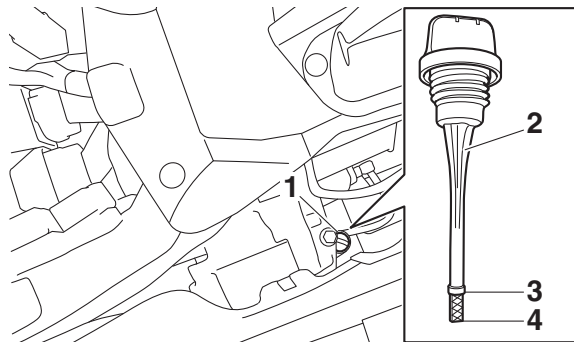
Check the oil level and change the transmission oil at the intervals specified in the general maintenance and lubrication chart.

**NOTICE**

**When checking or changing the transmission oil, make sure that no foreign material enters the transmission. If necessary, clean the filler cap and surrounding area.**

**To check the transmission oil level**

1. Park the vehicle on a level surface.
2. Remove panel B (page 8-10).
3. Remove the transmission oil filler cap, wipe the dipstick off with a clean rag, insert it back into the transmission case (without screwing it in), and then remove it again to check the oil level.



1. Transmission oil filler cap
2. Dipstick
3. Maximum level mark
4. Tip of the dipstick

**TIP**

The transmission oil level should be between the tip of the dipstick and the maximum level mark.

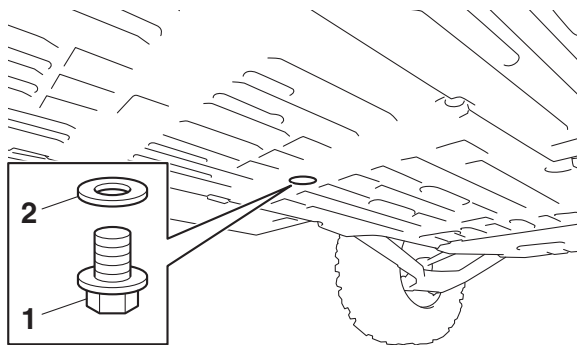
4. If the oil level is at or below the tip of the dipstick, add sufficient oil of the recommended type to raise it to the correct level.
5. Install the transmission oil filler cap.



6. Install the panel.

### To change the transmission oil

1. Park the vehicle on a level surface.
2. Remove panel B (page 8-10).
3. Place an oil pan under the transmission case to collect the used oil.
4. Remove the transmission oil filler cap, and then the transmission oil drain bolt and its gasket to drain the oil from the transmission case.



1. Transmission oil drain bolt
2. Gasket

5. Install the transmission oil drain bolt and new gasket, and then tighten the bolt to the specified torque.

Tightening torque:

Transmission oil drain bolt:  
20 Nm (2.0 m·kgf, 14 ft·lbf)

6. Refill with the specified amount of the recommended oil, and then install the transmission oil filler cap.

Recommended oil:

See page 10-1.

Oil quantity:

1.50 L (1.59 US qt, 1.32 Imp.qt)

ECB03150

### NOTICE

- Do not use oils with a diesel specification of “CD” or oils of a higher quality than specified. In addition, do not use oils labeled “ENERGY CONSERVING II” or higher.

- **In order to prevent clutch slippage, do not mix any chemical additives.**
- 

**TIP**

---

Be sure to wipe up any spilled oil.

---

7. Start the engine and drive the vehicle for a few minutes to circulate the transmission oil.
8. Park the vehicle on a level surface, stop the engine, and then check the transmission case for oil leakage.

**TIP**

---

8

If oil is leaking confirm that the transmission oil filler cap is properly installed and then have a Yamaha dealer check the transmission.

---

9. Check the transmission oil level and correct if necessary.
10. Install the panel.

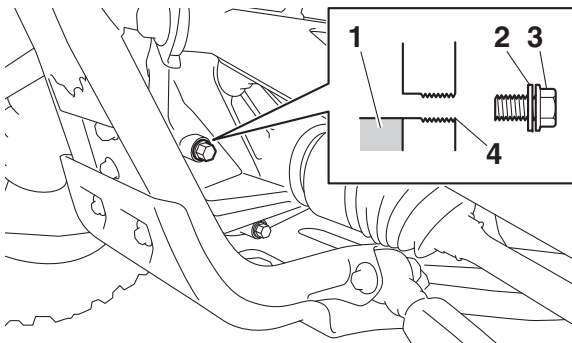
EBU36050

## **Final gear oil**

Check the oil level and change the final gear oil at the intervals specified in the general maintenance and lubrication chart.

### **Checking the final gear oil level**

1. Park the vehicle on a level surface.
2. Remove the final gear oil filler bolt and its gasket, and then check the oil level in the final gear case. The oil level should be at the brim of the filler hole.



1. Final gear oil
2. Gasket
3. Final gear oil filler bolt
4. Correct oil level

3. If the oil is below the brim of the filler hole, add sufficient oil of the recommended type to raise it to the correct level.

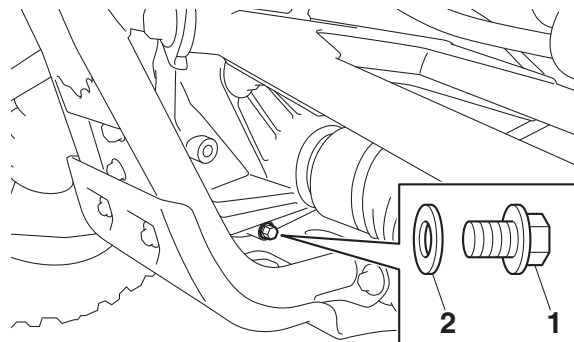
**NOTICE:** Be sure no foreign material enters the final gear case. [ECB00422]

4. Check the gasket for damage, and replace it if necessary.
5. Install the oil filler bolt and its gasket, and then tighten the bolt to the specified torque.

Tightening torque:  
Final gear oil filler bolt:  
23 Nm (2.3 m·kgf, 17 ft·lbf)

### Changing the final gear oil

1. Park the vehicle on a level surface.
2. Place an oil pan under the final gear case to collect the used oil.
3. Remove the final gear oil filler bolt, the final gear oil drain bolt and their gasket to drain the oil.



1. Final gear oil drain bolt
2. Gasket

4. Install the drain bolt and its new gasket, and then tighten the bolt to the specified torque.

Tightening torque:

Final gear oil drain bolt:

23 Nm (2.3 m·kgf, 17 ft·lbf)

5. Refill with the recommended final gear oil up to the brim of the filler hole. **NOTICE:** **Be sure no foreign material enters the final gear case.** [ECB00422]

Recommended oil:

SAE 80 API GL-4 Hypoid gear oil

Oil quantity:

0.47 L (0.50 US qt, 0.41 Imp.qt)

#### TIP

- GL-4 is a quality and additive rating; GL-5 rated hypoid gear oils may also be used.
- If desired, an SAE 80W-90 hypoid gear oil may be used instead.

6. Check the oil filler bolt gasket for damage, and replace it if necessary.
7. Install the oil filler bolt and its gasket, and then tighten the bolt to the specified torque.

Tightening torque:

Final gear oil filler bolt:

23 Nm (2.3 m·kgf, 17 ft·lbf)

8. Check for oil leakage. If oil leakage is found, check for the cause.

EBU36060

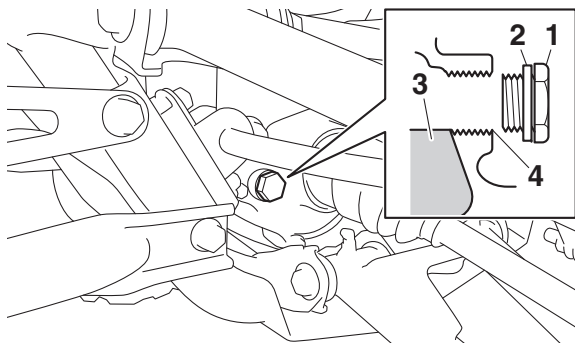
### Differential gear oil

Check the oil level and change the differential gear oil at the intervals specified in the general maintenance and lubrication chart.

### Checking the differential gear oil level

1. Park the vehicle on a level surface.

2. Remove the differential gear oil filler bolt and its gasket, and then check the oil level. It should be up to the brim of the filler hole.



1. Differential gear oil filler bolt
2. Gasket
3. Differential gear oil
4. Correct oil level

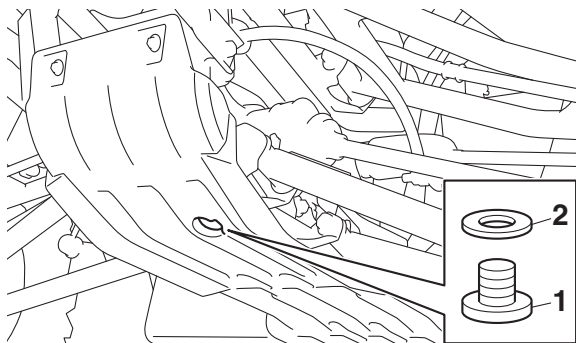
3. If the level is low, add sufficient oil of the recommended type to raise it to the specified level. **NOTICE: Be sure no foreign material enters the differential gear case.** [ECB00412]

4. Check the gasket for damage, and replace it if necessary.
5. Install the differential gear oil filler bolt and its gasket, and then tighten the bolt to the specified torque.

Tightening torque:  
Differential gear oil filler bolt:  
23 Nm (2.3 m·kgf, 17 ft·lbf)

### Changing the differential gear oil

1. Park the vehicle on a level surface.
2. Place an oil pan under the differential gear case to collect the used oil.
3. Remove the differential gear oil filler bolt, the differential gear oil drain bolt and their gasket to drain the oil.



1. Differential gear oil drain bolt
2. Gasket

4. Install the differential gear oil drain bolt and its new gasket, and then tighten the bolt to the specified torque.

8

Tightening torque:

Differential gear oil drain bolt:  
9.8 Nm (0.98 m·kgf, 7.1 ft·lbf)

5. Refill the differential gear case with the recommended oil. **NOTICE: Be sure no foreign material enters the differential gear case.** [ECB00412]

Recommended oil:  
SAE 80 API GL-4 Hypoid gear oil  
Oil quantity:  
0.18 L (0.19 US qt, 0.16 Imp.qt)

#### TIP

- GL-4 is a quality and additive rating; GL-5 rated hypoid gear oils may also be used.
- If desired, an SAE 80W-90 hypoid gear oil may be used instead.

6. Check the oil filler bolt gasket for damage, and replace it if necessary.
7. Install the differential gear oil filler bolt and its gasket, and then tighten the bolt to the specified torque.

Tightening torque:

Differential gear oil filler bolt:  
23 Nm (2.3 m·kgf, 17 ft·lbf)

8. Check for oil leakage. If oil leakage is found, check for the cause.

## Coolant

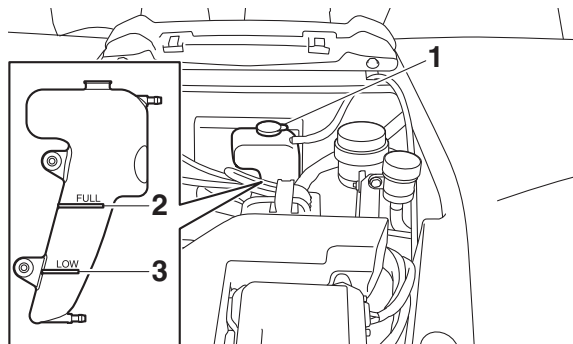
Check the coolant level prior to each time you operate the vehicle, and have a Yamaha dealer change the coolant every two years.

### Checking the coolant level

1. Park the vehicle on a level surface.
2. Remove the hood. (See page 8-10.)
3. Check the coolant level when the engine is cold (the coolant level will vary with engine temperature).

### TIP

The coolant level in the coolant reservoir should be between the minimum and maximum level marks.



1. Coolant reservoir cap
2. Maximum level mark
3. Minimum level mark

4. If the coolant level is at or below the minimum level mark, remove the coolant reservoir cap and add coolant to the maximum level mark. **NOTICE: If coolant is not available, use distilled water or soft tap water instead. Do not use hard water or salt water since they are harmful to the engine. If water has been used instead of coolant, replace it with coolant as soon as possible, otherwise the cooling system will not**

be protected against frost and corrosion. If water has been added to the coolant, have a Yamaha dealer check the antifreeze content of the coolant as soon as possible, otherwise the effectiveness of the coolant will be reduced. [ECB01012]

Coolant reservoir capacity  
(up to the maximum level mark):  
0.31 L (0.33 US qt, 0.28 Imp.qt)

5. Install the reservoir cap.
6. Install the hood when finished servicing the vehicle.

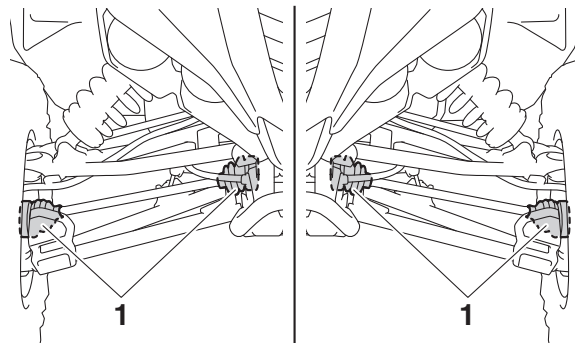
#### TIP

- The radiator fan automatically switches on or off according to the temperature of the coolant in the radiator.
- If the engine overheats, see page 8-66 for instructions.

EBU32400

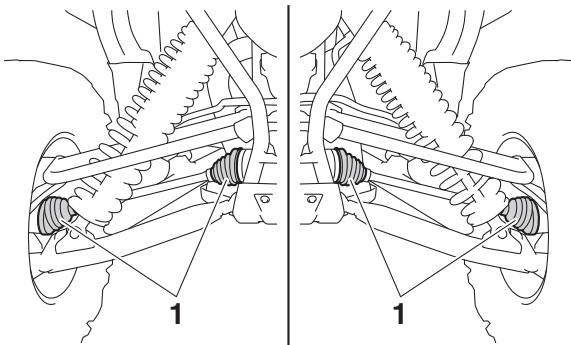
## Axle boots

Check the axle boots for holes or tears. If any damage is found, have them replaced by a Yamaha dealer.



1. Front axle boot





1. Rear axle boot

EBU35121

## Checking the spark plugs

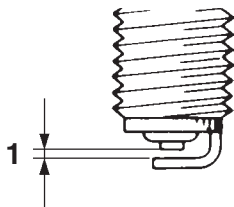
The spark plug is an important engine component which should be periodically checked, preferably by a Yamaha dealer. Since heat and deposits will cause any spark plug to slowly erode, the spark plugs should be removed and checked in accordance with the periodic maintenance chart for the emission control system. In addition, the condition of the spark plugs can reveal the condition of the engine.

The porcelain insulator around the center electrode of each spark plug should be a medium-to-light tan color (the ideal color when the vehicle is ridden normally), and all spark plugs installed in the engine should have a similar color. If any spark plug shows a distinctly different color, the engine could be operating improperly. Do not attempt to diagnose such problems yourself. Instead, have a Yamaha dealer check the vehicle.

If a spark plug shows signs of electrode erosion and excessive carbon or other deposits, it should be replaced.

Specified spark plug:  
NGK/CR9EB

Before installing a spark plug, the spark plug gap should be measured with a wire thickness gauge and, if necessary, adjusted to specification.



1. Spark plug gap

Spark plug gap:  
0.7–0.8 mm (0.028–0.031 in)

8

Clean the surface of the spark plug gasket and its mating surface, and then wipe off any grime from the spark plug threads.

Tightening torque:  
Spark plug:  
13 Nm (1.3 m·kgf, 9.4 ft·lbf)

**TIP**

If a torque wrench is not available when installing the spark plug, a good estimate of the correct torque is 1/4–1/2 turn past finger tight. However, the spark plug should be tightened to the specified torque as soon as possible.

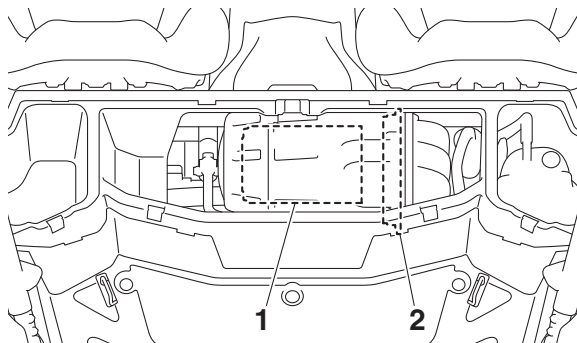
ECB02900

**NOTICE**

**Do not use any tools to remove or install the spark plug cap, otherwise the ignition coil coupler may be damaged. The spark plug cap may be difficult to remove because the rubber seal on the end of the cap fits tightly. To remove the spark plug cap, simply twist it back and forth while pulling it out; to install it, twist it back and forth while pushing it in.**

## Air filter maintenance

This model is equipped with two air filter elements, a primary foam-type air filter and a secondary paper-type air filter.



1. Primary air filter
2. Secondary air filter

The primary air filter is easily accessed and should be cleaned and oiled every 300–600 km (200–400 mi).

The secondary air filter is more difficult to access, cannot be cleaned, and should be replaced by a Yamaha dealer every 2000–5000 km (1200–3000 mi).

### TIP

Service the air filters more frequently when operating in wet or dusty environments.

Whenever air filter maintenance is performed:

- check the air inlet for obstructions and the air filter case for dirt and foreign matter.
- check the air filter case check hoses for dirt or water and clean as necessary.
- check the air filter case joints and the rubber joints to and from the throttle body for proper fit and sealing.
- tighten all fittings securely to avoid the possibility of unfiltered air entering the engine.

ECB02270

### NOTICE

**Never operate the engine with the air filter element removed. Doing so would allow unfiltered air to enter, causing rapid engine wear and possible engine damage.**

**Additionally, the fuel injection system would be affected, resulting in poor engine performance and possible overheating.**

---

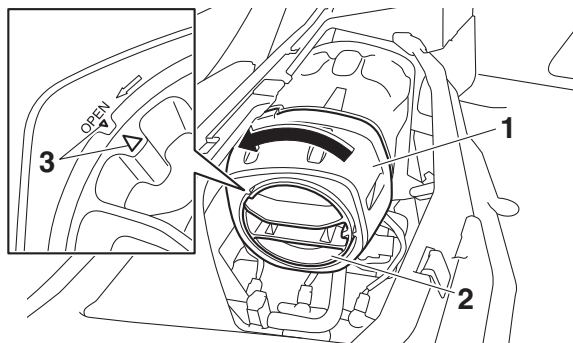
Clean the primary air filter as follows.

1. Remove panel C (page 8-10).
2. Remove the air filter case cover by turning the air filter case cover lock counter-clockwise.

**TIP**

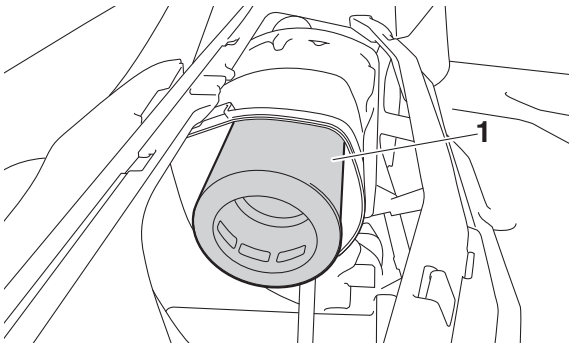
Make sure that the match mark on the cover lock is aligned with the open match mark on the air filter case cover.

---



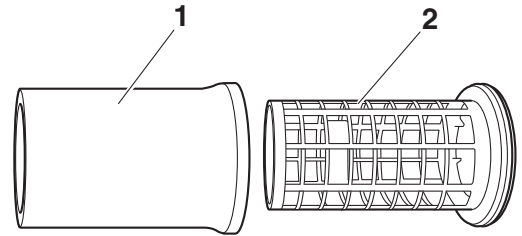
1. Air filter case cover
2. Air filter case cover lock
3. Match mark

3. Remove the foam air filter.



1. Foam air filter

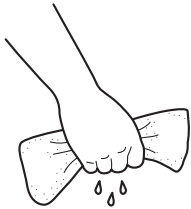
4. Remove the foam air filter element from the air filter frame.



1. Foam air filter element

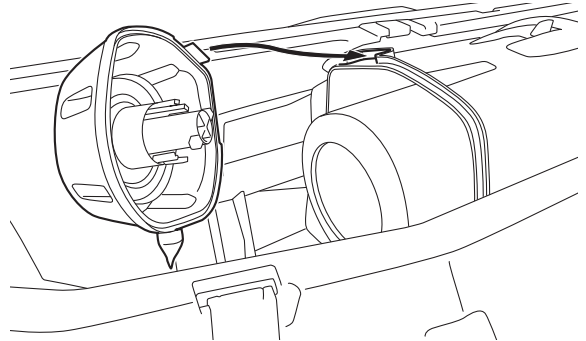
2. Air filter frame

5. Wash the foam material gently but thoroughly in parts cleaning solvent. **WARNING! Using gasoline or other flammable solvents to clean the air filter element can cause a fire or explosion, which could lead to serious injury.** [EWB03360]
6. Squeeze out the excess solvent. **NOTICE: Do not twist the foam material when squeezing it.** [ECB02970]



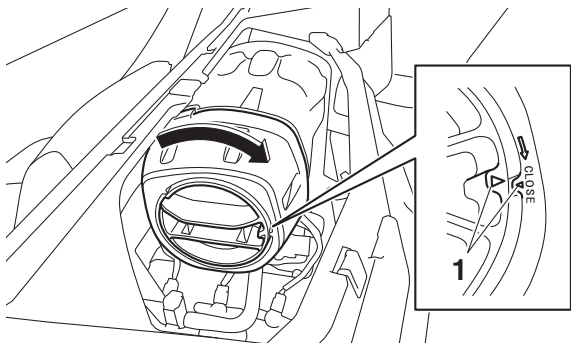
7. Wash the foam material in warm soapy water to remove remaining solvent, then rinse thoroughly with plain warm water.
8. Squeeze out the excess water. **NOTICE:** Do not twist the foam material when squeezing it. [ECB02970]
9. Allow the foam air filter to dry thoroughly. Inspect for wear and tear and replace if damaged or heavily worn.

10. Thoroughly apply Yamalube foam air filter oil (or other quality liquid foam air filter—do not use a spray-type product) to the foam material. The foam air filter element should be wet but not dripping.
11. Pull the foam air filter element over its frame.
12. Install the air filter.
13. Install the air filter case cover and lock it into place by turning the air filter case cover lock clockwise.



## TIP

Make sure that the match mark on the cover lock is aligned with the close match mark on the air filter case cover.



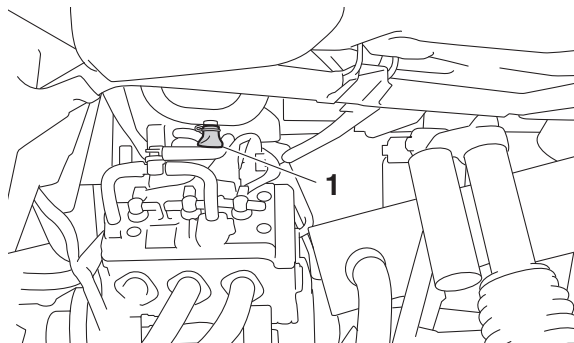
1. Match mark

14. Install the panel.

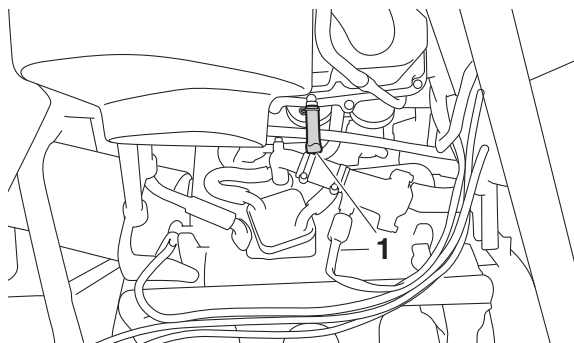
EBU35130

## Cleaning the air filter case check hoses

There is a check hose on each side of the air filter case. If dust or water collects in a check hose, empty the hose and clean the air filter element and air filter case.



1. Air filter case check hose



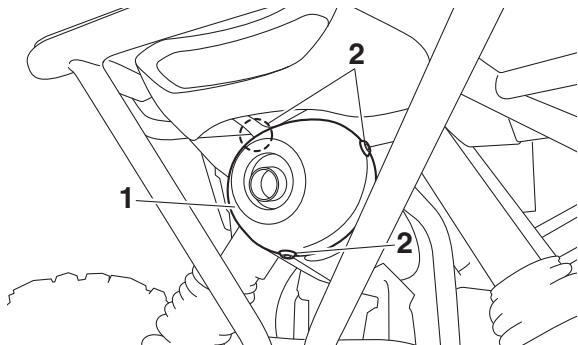
1. Air filter case check hose

## Cleaning the spark arrester

### WARNING

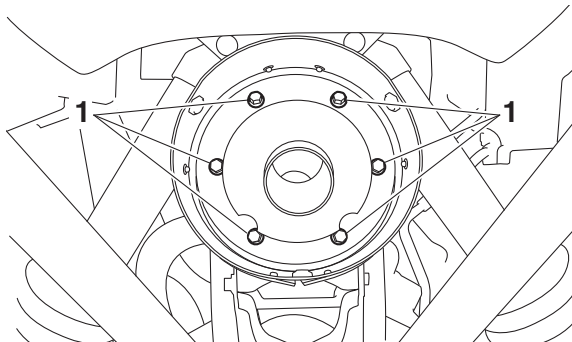
Hot exhaust system may cause burns. To avoid burns or fires, make sure that the engine is stopped and the exhaust system is cool before cleaning the spark arrester. Do not start the engine while cleaning the exhaust system.

1. Remove the tailpipe cover by removing the bolts.



1. Tailpipe cover
2. Bolt

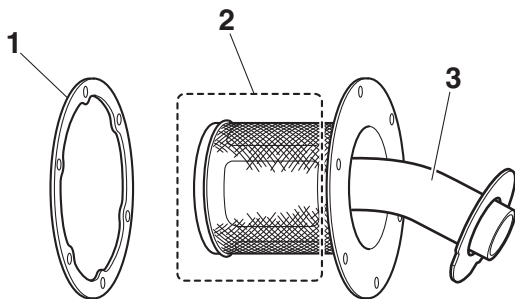
2. Remove the tailpipe bolts.



1. Tailpipe bolt

3. Remove the tailpipe by pulling it out of the muffler, and then remove the gasket.
4. Tap the tailpipe lightly, and then use a wire brush to remove any carbon deposits from the spark arrester portion of the tailpipe and inside of the tailpipe housing.





1. Gasket
2. Spark arrester
3. Tailpipe

5. Install the gasket, and then insert the tailpipe into the muffler and align the bolt holes.
6. Install the tailpipe bolts and tighten them to the specified torque.

Tightening torque:  
 Tailpipe bolt:  
 10 Nm (1.0 m·kgf, 7.2 ft·lbf)

7. Install the tailpipe cover.

8. Install the bolts and tighten them to the specified torque.

Tightening torque:  
 Tailpipe cover bolt:  
 8 Nm (0.8 m·kgf, 5.8 ft·lbf)

EBU32460

### Valve clearance

The correct valve clearance changes with use, resulting in improper fuel/air supply or engine noise. To prevent this, the valve clearance must be adjusted regularly. This adjustment however, should be left to a professional Yamaha service technician.

EBU32470

### Brakes

Replacement of brake components requires professional knowledge. Brake service should be performed by a Yamaha dealer.

**⚠ WARNING**

**Operating with improperly serviced or adjusted brakes could lead to a loss in braking ability and an accident.**

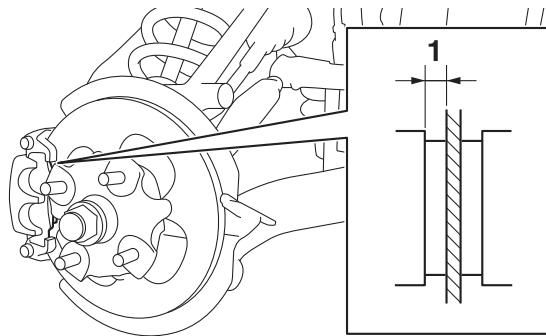
EBU35150

**Checking the front and rear brake pads**

Check each brake pad for damage and measure the lining thickness. If a brake pad is damaged or if the lining thickness is less than 1.0 mm (0.04 in), have a Yamaha dealer replace the brake pads as a set.

**8**

The wheels need to be removed to check the brake pads. (See pages 8-54, 8-55 for wheel removal and installation procedures.)

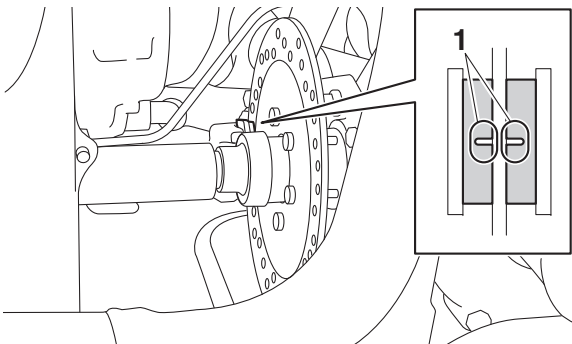


1. Lining thickness

EBU32490

**Checking the parking brake pads**

Each brake pad is provided with a wear indicator groove, which allows you to check the brake pad wear without having to disassemble the brake. If a brake pad has worn to the point that the wear indicator groove has almost disappeared, have a Yamaha dealer replace the brake pads as a set.

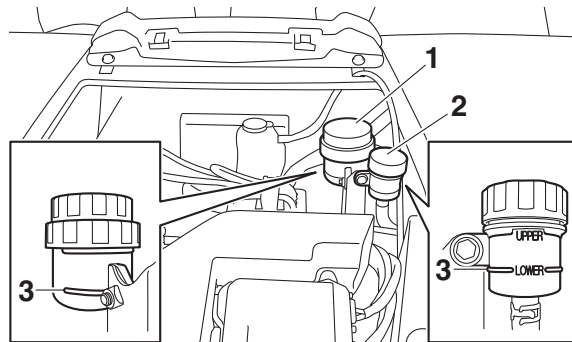


1. Parking brake pad wear indicator groove

EBU35160

## Checking the brake and clutch fluid levels

Before starting off, check that the brake and clutch fluids are above the minimum level marks. Replenish the brake and clutch fluids if necessary.



1. Brake fluid reservoir
2. Clutch fluid reservoir
3. Minimum level mark

### TIP

- The brake and clutch fluid reservoirs are located under the hood (page 8-10).
- For an accurate reading, make sure the vehicle is parked on a level surface.

Specified fluid for brake and clutch systems:  
DOT 4 brake fluid

**⚠ WARNING**

Improper maintenance can result in loss of braking ability or clutch operation. Observe these precautions:

- Insufficient brake or clutch fluid may allow air to enter the brake or clutch system, reducing braking or clutch performance.
- Clean the filler caps before removing. Use only DOT 4 brake fluid from a sealed container.
- Use only the specified brake fluid; otherwise, the rubber seals may deteriorate, causing leakage.
- Refill with the same type of brake fluid. Adding a brake fluid other than DOT 4 may result in a harmful chemical reaction.

- Be careful that water or dust does not enter the brake or clutch fluid reservoir when refilling. Water will significantly lower the boiling point of the fluid and may result in vapor lock.

ECB01161

**NOTICE**

**Brake fluid may damage painted surfaces or plastic parts. Always clean up spilled fluid immediately.**

As the brake pads wear, it is normal for the brake fluid level to gradually go down. A low brake fluid level may indicate worn brake pads or brake system leakage; therefore, be sure to check the brake pads for wear and the brake system for leakage. A low clutch fluid level may indicate clutch system leakage; therefore, be sure to check the clutch system for leakage. If the brake or clutch fluid level goes down suddenly, have a Yamaha dealer check and repair the vehicle before any further operation.

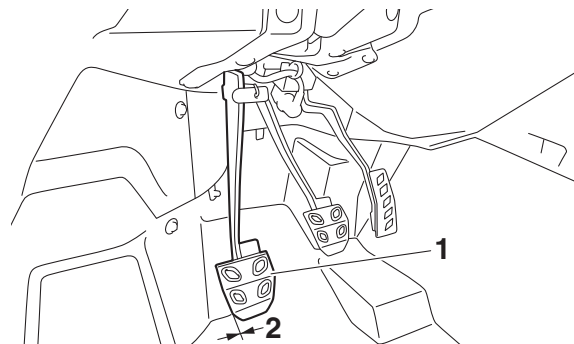
## Brake and clutch fluid replacement

Complete fluid replacement should be done only by trained Yamaha service personnel. Have a Yamaha dealer replace the following components during periodic maintenance or when they are damaged or leaking.

- Replace the oil seals every two years.
- Replace the brake and clutch hoses every four years.

## Checking the clutch pedal

The clutch pedal should operate smoothly and spring back to position when released. When depressed, it should offer resistance before reaching the floorboard. If the pedal offers little resistance when depressed, or if the transmission grinds gears when shifting, have a Yamaha dealer check the vehicle.



1. Clutch pedal
2. No clutch pedal free play

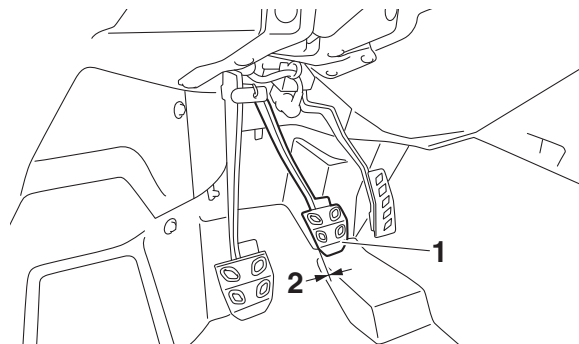
### TIP

Don't forget to have your Yamaha dealer check the clutch and transmission as a whole at the intervals specified in the general maintenance and lubrication chart.

## Checking the brake pedal

Have a Yamaha dealer check the brakes at the intervals specified in the periodic maintenance and lubrication chart. There should be

no free play in the brake pedal. The brakes should operate smoothly and there should be no brake drag. If the brakes feel soft or spongy, this could indicate air in the brake system. Have a Yamaha dealer check the brake system if necessary.



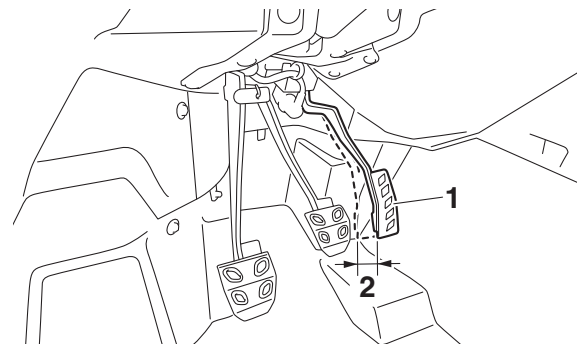
- 1. Brake pedal
- 2. No brake pedal free play

EBU35820

## Checking the accelerator pedal

The accelerator pedal should operate smoothly and spring back to position when released. If the pedal free play is out of specification, have a Yamaha dealer adjust or replace the throttle wire.

Accelerator pedal free play:  
10.0-25.0 mm (0.39-0.98 in)

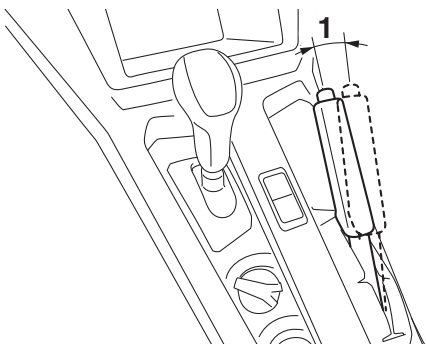


- 1. Accelerator pedal
- 2. Accelerator pedal free play

## Parking brake lever free play adjustment

Periodically check the parking brake lever free play and adjust it if necessary.

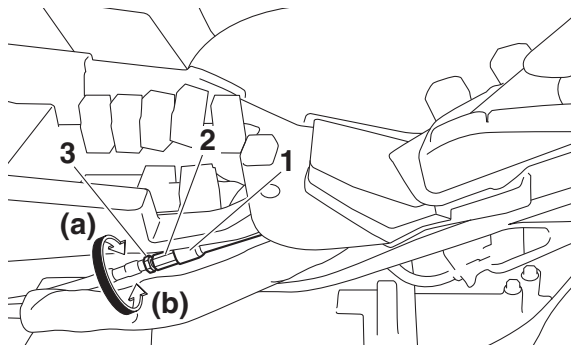
1. Shift the transmission into first gear.
2. Check the parking brake lever free play.  
The maximum free play is equal to one click of the parking brake lever. If necessary, adjust the free play as follows.



1. Parking brake lever free play

3. Remove panel B. (See page 8-10.)
4. Release the parking brake lever.

5. Slide the rubber cover back on the parking brake cable.
6. Loosen the locknut.



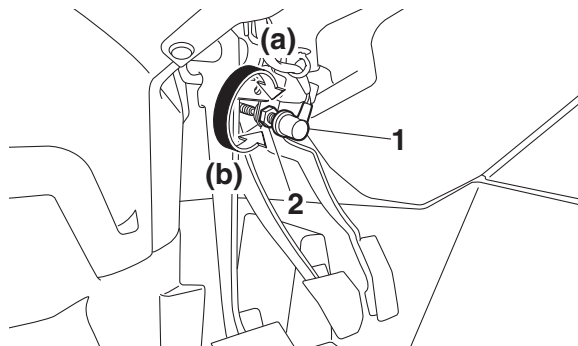
1. Rubber cover
2. Adjusting nut
3. Locknut

7. Turn the adjusting nut in direction (a) to increase the free play or in direction (b) to decrease the free play.
8. Tighten the locknut, and then slide the rubber cover to its original position.
9. Install the panel.

## Brake light switch adjustment

The brake light switch, which is activated by the brake pedal, is properly adjusted when the brake light comes on just before braking takes effect. If necessary, adjust the brake light switch as follows.

Turn the adjusting nut while holding the brake light switch in place. To make the brake light come on earlier, turn the adjusting nut in direction (a). To make the brake light come on later, turn the adjusting nut in direction (b).



1. Brake light switch
2. Adjusting nut

## Cable inspection and lubrication



**Damaged cables could restrict operation, which may cause an accident or injury. Inspect control cables frequently and replace damaged cables. Corrosion can result when the outer covering of control cables becomes damaged. Cables can also become frayed or kinked.**

Lubricate the cable ends. If the cables do not operate smoothly, ask a Yamaha dealer to replace them.

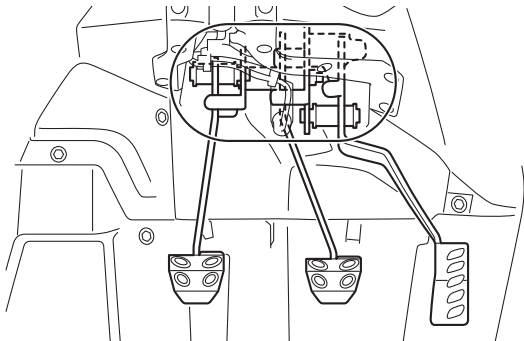
Recommended lubricant:

Yamalube LubezAll (synthetic lubricant spray with PTFE)



## Pedal lubrication

The pivoting parts of the brake, clutch, and accelerator pedals should be lubricated periodically to prevent rust and ensure smooth operation.



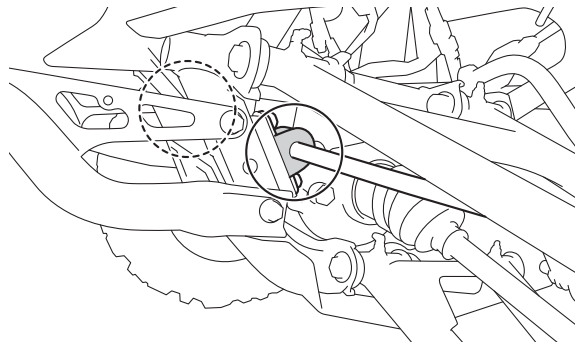
Recommended lubricant:  
Lithium-soap-based grease

## Checking the stabilizer bushes

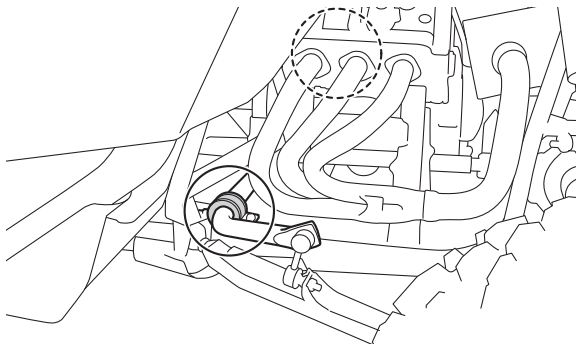
The stabilizer bushes must be checked for cracks or damage at the intervals specified in the periodic maintenance and lubrication chart.

Have a Yamaha dealer replace the stabilizer bushes if necessary.

### Front



Rear



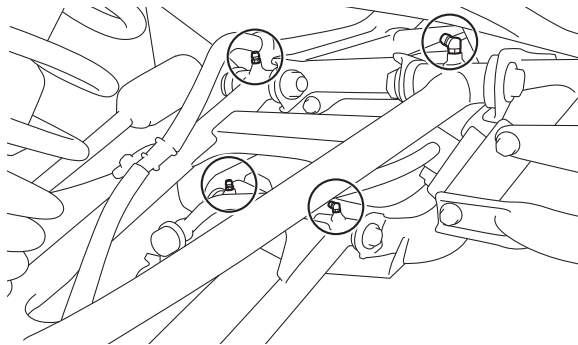
EBU35211

## Upper and lower arm pivot lubrication (left and right)

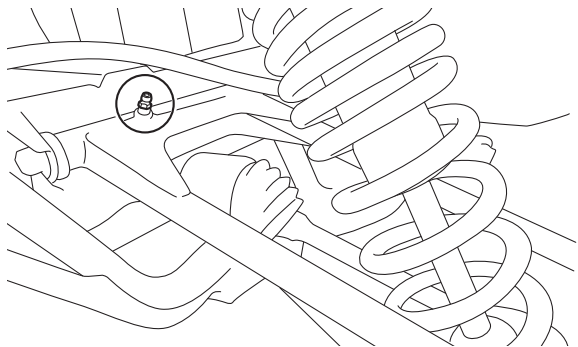
8

Lubricate the upper and lower arm pivots with a grease gun.

Front



Rear

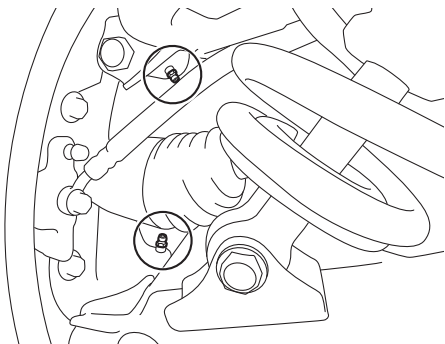


Recommended lubricant:  
Lithium-soap-based grease

EBU32590

## Rear knuckle upper and lower pivot lubrication (left and right)

Lubricate the knuckle upper and lower pivots with a grease gun.

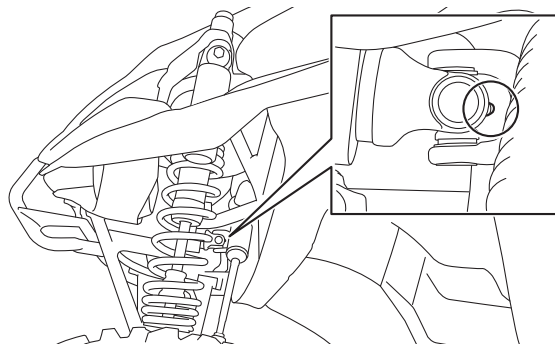


Recommended lubricant:  
Lithium-soap-based grease

EBU35220

## Drive shaft universal joint lubrication

Lubricate the drive shaft universal joint with a grease gun.



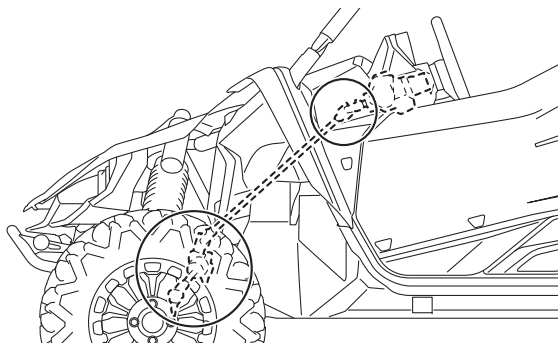
Recommended lubricant:  
Lithium-soap-based grease

EBU32600

## Steering shaft lubrication

Lubricate the pivot points.

Recommended lubricant:  
Lithium-soap-based grease

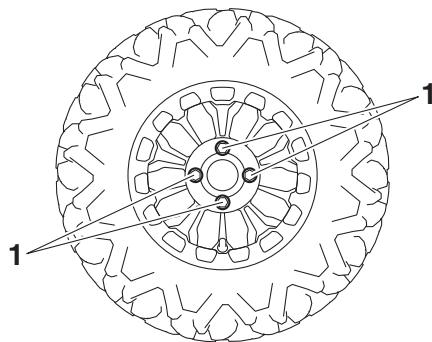


EBU32610

## Wheel removal

1. Loosen the wheel nuts.
2. Elevate the vehicle and place a suitable stand under the frame.
3. Remove the nuts from the wheel.
4. Remove the wheel.

8



1. Wheel nut

EBU32620

## Tire replacement

Always use the same size and type of tires recommended in this owner's manual. The tires that came with your Yamaha YXZ1000R were designed to match the performance capabilities and to provide the best combination of handling, braking, and comfort. It is best to replace all four tires at the same time. If that is not possible, you must replace the tires in

pairs (front or rear) with tires of the same size and type as the originals. Never replace just one tire.

EWB03390

**⚠ WARNING**

**Installing improper tires on your Yamaha YXZ1000R can affect handling and stability. This can cause a loss of control.**

The tires listed below have been approved by Yamaha Motor Manufacturing Corporation of America for this model.

Front tire:

Size:

27 x 9.00R-14NHS

Manufacturer/model:

MAXXIS/MU09

Rear tire:

Size:

27 x 11.00R-14NHS

Manufacturer/model:

MAXXIS/MU10

EBU33090

## Wheel installation

1. Install the wheel and the nuts.
2. Lower the vehicle so that the wheel is on the ground.
3. Tighten the wheel nuts in a crisscross pattern to the specified torque.

EWB03400

**⚠ WARNING**

**Do not reverse the rims on your Yamaha YXZ1000R to widen the track width. Installing wheels improperly increases the risk of wheel failure and accidents.**

Tightening torques:

Front wheel nut:

75 Nm (7.5 m·kgf, 54 ft·lbf)

Rear wheel nut:

75 Nm (7.5 m·kgf, 54 ft·lbf)

EBU35230

## Battery

The battery is located under panel A. (See page 8-10.)

This model is equipped with a VRLA (Valve Regulated Lead Acid) battery. There is no need to check the electrolyte or to add distilled water. However, the battery lead connections need to be checked and, if necessary, tightened.

EWB03410



**Avoid battery contact with skin, eyes, or clothing. Shield eyes when working near batteries. Keep out of reach of children. You could be poisoned or severely burned by the sulfuric acid in battery electrolyte. In case of accidental contact with battery electrolyte:**

**EXTERNAL: Flush with water.**

**INTERNAL: Drink large quantities of water or milk. Follow with milk of magnesia, beaten egg, or vegetable oil. Get prompt medical attention.**

**EYES: Flush with water for 15 minutes and get prompt medical attention.**

---

EWB03420

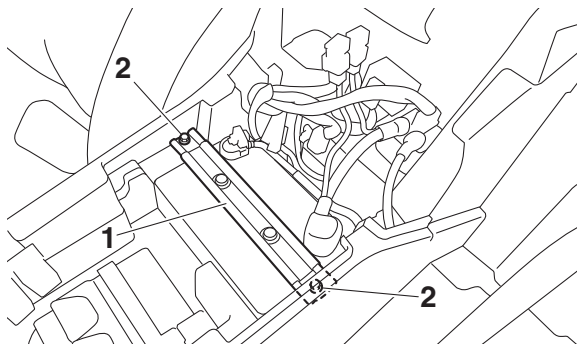


**Batteries may produce explosive gases. Ventilate when charging or using in a closed space. Keep batteries away from sparks, flames, cigarettes, or other sources of ignition.**

---

### **To remove the battery**

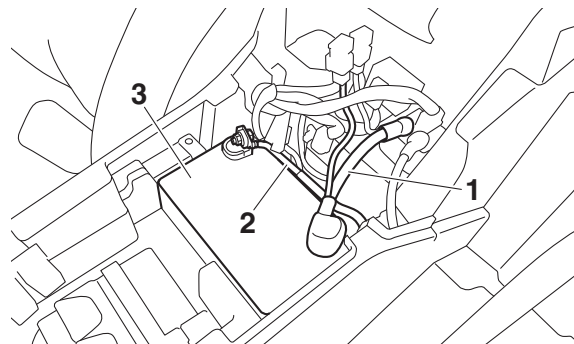
1. Turn the key to “○” (off).
2. Remove panel A. (See page 8-10.)
3. Remove the battery holding plate by removing the bolts.



1. Battery holding plate
2. Bolt

4. Disconnect the negative battery lead first, then the positive battery lead by removing their bolt. **NOTICE: When removing the battery, the main switch must be off, and the negative lead must be disconnected before the positive lead.**

[ECB01002]



1. Positive battery lead (red)
2. Negative battery lead (black)
3. Battery

5. Pull the battery out of its compartment.

### To charge the battery

Have a Yamaha dealer charge the battery as soon as possible if it seems to have discharged. Keep in mind that the battery tends to discharge more quickly if the vehicle is equipped with optional electrical accessories.

**NOTICE**

To charge a VRLA (Valve Regulated Lead Acid) battery, a special (constant-voltage) battery charger is required. Using a conventional battery charger will damage the battery.

**To store the battery**

- If the vehicle will not be used for more than one month, remove the battery, fully charge it, and then place it in a cool, dry place.
- If the battery will be stored for more than two months, check it at least once a month and fully charge it if necessary.

8

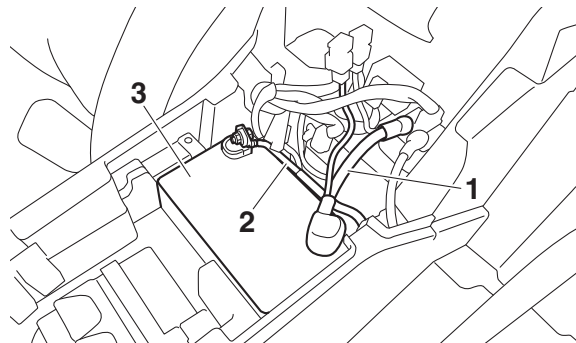
**NOTICE**

Always keep the battery charged. Storing a discharged battery can cause permanent battery damage.

**To install the battery****TIP**

Be sure the battery is fully charged.

1. Place the battery in its compartment.
2. Connect the positive battery lead first, then the negative battery lead by installing their bolt. **NOTICE: When installing the battery, the main switch must be off, and the positive lead must be connected before the negative lead.** [ECB01111]



1. Positive battery lead (red)
2. Negative battery lead (black)
3. Battery



3. Install the battery holding plate by installing the bolts.
4. Install the panel.

EBU35243

## Jump-starting

Jump-starting the vehicle should be avoided. The battery should be removed and charged instead.

EWB03430

### **WARNING**

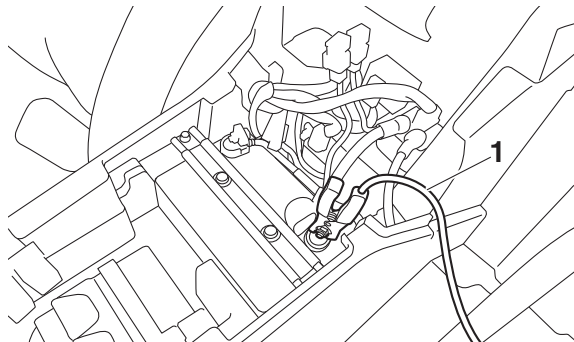
**To avoid battery explosion and/or serious damage to the electrical system:**

- Do not connect the negative lead of the jumper cable to the negative terminal of the battery.
- Do not touch the positive lead of the jumper cable to the negative lead.
- Do not reverse the polarity of the jumper cables when connecting to the batteries.

However, if the vehicle must be jump-started, proceed as follows.

1. Turn the key to “○” (off).

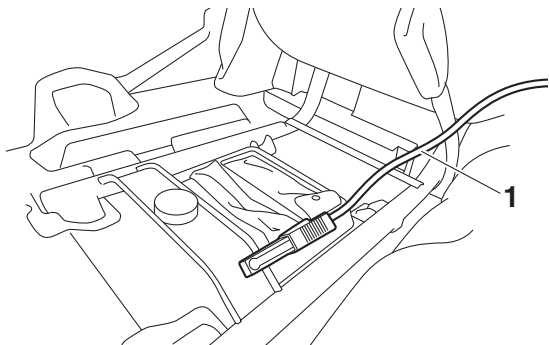
2. Remove panel A. (See page 8-10.)
3. Remove the passenger seat cushion. (See page 4-20.)
4. Using a charged 12-volt battery, connect the positive lead of the jumper cable to the positive terminal of the battery in the YXZ1000R and the other end of the positive lead to the positive terminal of the charged battery.



1. Jumper cable positive lead

5. Connect the negative lead of the jumper cable to the negative terminal of the charged battery and the other end of the

negative lead to an unpainted metal surface of the passenger seat frame near the center console in the YXZ1000R.



1. Jumper cable negative lead

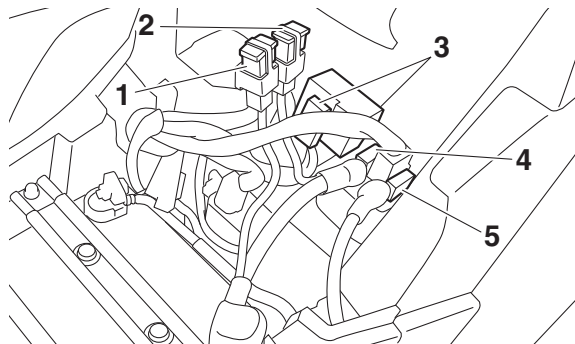
8

6. Start the engine. (Refer to “Starting the engine” on page 6-2.)
7. After the engine starts, disconnect the negative lead of the jumper cable from the seat frame and charged battery, and then disconnect the positive lead of the jumper cable from the charged battery and the battery in the YXZ1000R.
8. Install the seat cushion and the panel.

EBU35250

## Fuse replacement

The main fuse, the fuel injection system fuse, the EPS fuse, and the fuse box are located under panel A. (See page 8-10.)

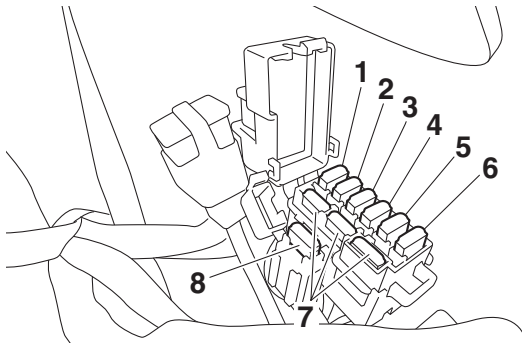


1. Main fuse
2. EPS fuse
3. Fuse box
4. Fuel injection system fuse
5. Fuel injection system spare fuse

**NOTICE**

To prevent accidental short-circuiting, turn off the main switch when checking or replacing a fuse.

2. Remove panel A. (See page 8-10.)
3. Remove the blown fuse, and then install a new fuse of the specified amperage. **WARNING! Always use a fuse of the specified amperage. Never use any material in place of the proper fuse. Using an improper fuse can cause damage to the electrical system and may lead to a fire.** [EWB03440]



1. Headlight fuse "HEAD"
2. Signaling system fuse "SIGNAL"
3. Four-wheel-drive motor fuse "DIFF"
4. Backup fuse "BACK UP" (for clock)
5. Ignition fuse "IGNITION"
6. Radiator fan motor fuse "FAN"
7. Spare fuse
8. Auxiliary DC jack fuse "TERMINAL"

If a fuse is blown, replace it as follows.

1. Turn the key to "○" (off) and turn off the electrical circuit in question.

**Specified fuses:****Main fuse:**

40.0 A

**Fuel injection system fuse:**

15.0 A

**Headlight fuse:**

15.0 A

**Ignition fuse:**

15.0 A

**Auxiliary DC jack fuse:**

10.0 A

**Signaling system fuse:**

10.0 A

**Four-wheel-drive motor fuse:**

10.0 A

**Radiator fan motor fuse:**

30.0 A

**Backup fuse:**

10.0 A

**EPS fuse:**

40.0 A

4. Turn the key to “ I ” (on) and turn on the electrical circuit in question to check if the device operates. If the fuse blows again immediately, have a Yamaha dealer check the electrical system.
5. Install the panel.

EBU35261

**Headlights**

This model is equipped with LED headlights. There are no user replaceable bulbs. If one or more headlights do not come on, check for a loose connection, check the headlight fuse, and then have a Yamaha dealer check the vehicle.

**TIP**

- When the headlights are set to low beam, only the top half of each lamp will illuminate.
- When the headlights are set to high beam, both halves of each lamp will illuminate.

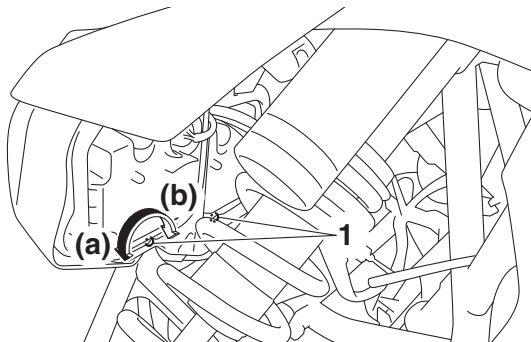
## Headlight beam adjustment

### NOTICE

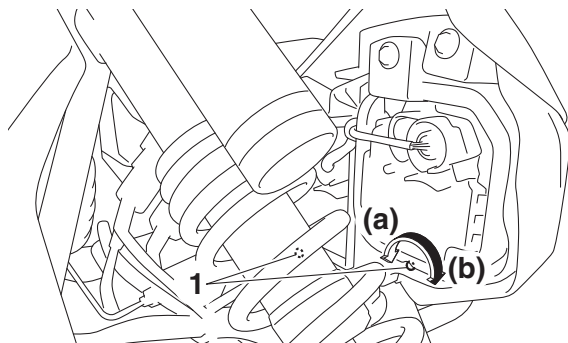
It is advisable to have a Yamaha dealer make this adjustment.

To raise the beam, turn the headlight beam adjusting screw in direction (a).

To lower the beam, turn the headlight beam adjusting screw in direction (b).



1. Headlight beam adjusting screw



1. Headlight beam adjusting screw

## Tail/brake light

This model is equipped with an LED tail/brake light, there are no replaceable bulbs.

If the tail/brake light does not come on, check the fuses, and then have a Yamaha dealer check the vehicle.

## Troubleshooting

Although Yamaha vehicles receive an inspection before shipment from the factory, trouble may occur during operation. Any problem in

the fuel, compression, or ignition systems can cause poor starting and loss of power. The troubleshooting chart describes a quick, easy procedure for making checks. If your vehicle requires any repair, take it to a Yamaha dealer.

The skilled technicians at a Yamaha dealership have the tools, experience, and know-how to properly service your vehicle. Use only genuine Yamaha parts on your vehicle. Imitation parts may look like Yamaha parts, but they are often inferior. Consequently, they have a shorter service life and can lead to expensive repair bills.

8

EWB03450



---

**When checking the fuel system, do not smoke and make sure there are no open flames or sparks in the area, including pilot lights from water heaters or furnaces.**

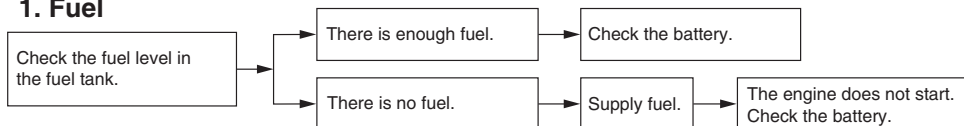
**Gasoline or gasoline vapors can ignite or explode, causing severe injury or property damage.**

---

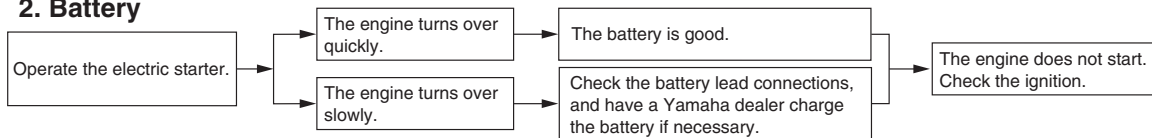
# Troubleshooting charts

## Starting problems or poor engine performance

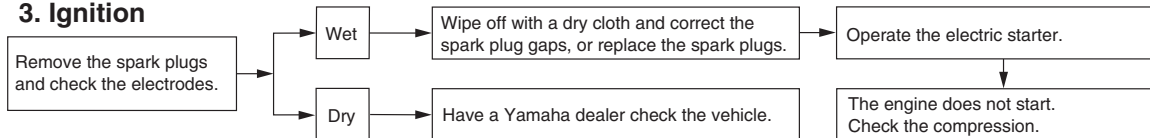
### 1. Fuel



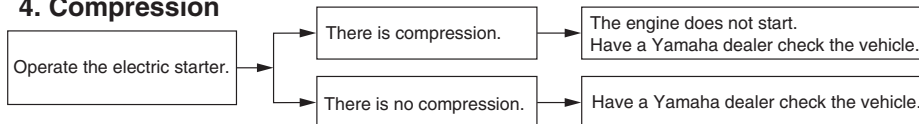
### 2. Battery



### 3. Ignition

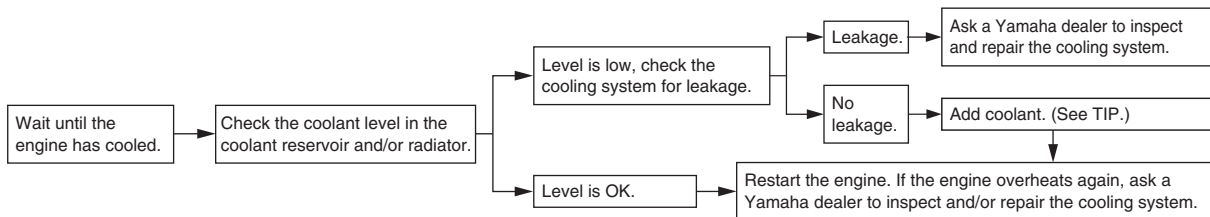


### 4. Compression



## Engine overheating

Wait for the engine to cool before removing the radiator cap. **WARNING! If the engine is not cool when removing the radiator cap, hot fluid and steam could blow out under pressure and burn you.** [EWB03460] Place a thick rag over the cap and remove the cap slowly to allow any remaining pressure to escape.



**TIP** \_\_\_\_\_  
If it is difficult to get the recommended coolant, tap water can be used temporarily, provided that it is changed to the recommended coolant as soon as possible.

---



## CLEANING AND STORAGE

### Cleaning

Frequent, thorough cleaning of your vehicle will not only enhance its appearance but will improve its general performance and extend the useful life of many components.

1. Before cleaning the vehicle:
  - a. Block off the end of the exhaust pipe to prevent water entry. A plastic bag and strong rubber band may be used.
  - b. Make sure the spark plugs and all filler caps are properly installed.
2. If the engine case is excessively greasy, apply degreaser with a paint brush. Do not apply degreaser to the wheel axles.
3. Rinse the dirt and degreaser off with a garden hose. Use only enough pressure to do the job. **WARNING! Test the brakes after washing. Apply the brakes several times at slow speeds to let friction dry the brakes. Wet brakes**

may have reduced stopping ability, increasing the chance of an accident.

[EWB03471] **NOTICE: Excessive water pressure may cause water seepage and deterioration of wheel bearings, brakes, transmission seals and electrical devices. Many expensive repair bills have resulted from improper high-pressure detergent applications such as those available in coin-operated car washers.** [ECB00712]

4. Once the majority of the dirt has been hosed off, wash all surfaces with warm water and mild, detergent-type soap. An old toothbrush or bottle brush is handy for hard-to-get-at places.
5. Rinse the vehicle off immediately with clean water and dry all surfaces with a clean chamois towel or soft, absorbent cloth.
6. Clean the seats with a vinyl upholstery cleaner to keep the covers pliable and glossy.

7. Automotive-type wax may be applied to all painted and chrome-plated surfaces. Avoid combination cleaner-waxes. Many contain abrasives which may scratch the paint or protective finish. When finished, start the engine and let it idle for several minutes.

EBU32741

## Storage

Long term storage (60 days or more) of your vehicle will require some preventive procedures to guard against deterioration. Make any necessary repairs before storing the vehicle.

9

After thoroughly cleaning the vehicle, prepare for storage as follows:

1. Fill the fuel tank with fresh fuel and add the specified amount of Fuel Med Rx or another high-quality fuel stabilizer product. Follow the instructions on the prod-

uct label. Operate the vehicle for at least 5 minutes to distribute treated fuel through the fuel system.

Specified amount:

1 oz of stabilizer to each gallon of fuel (or  
7.5 ml of stabilizer to each liter of fuel)

2. Remove the spark plugs and pour one tablespoon of fresh engine oil into each cylinder and then re-install the spark plugs. Remove the spark plug wires and ground them. Operate the electric starter to turn the engine over several times and coat the cylinder walls with oil.
3. Lubricate all control cables.
4. Put the frame on stands or blocks to raise all wheels off the ground.
5. Tie a plastic bag over the exhaust pipe outlet to prevent moisture from entering.

6. If storing in a humid or salt-air atmosphere, coat all exposed metal surfaces with a light film of oil. Do not apply oil to any rubber parts or the seat covers.
7. Remove the battery and charge it. Store it in a dry place and recharge it once a month. Do not store the battery in an excessively warm or cold place [less than 0 °C (30 °F) or more than 30 °C (90 °F)].

Use of fuel stabilizer eliminates the need to drain the fuel system. Consult a Yamaha dealer if the fuel system needs to be drained.

# SPECIFICATIONS

## Dimensions:

- Overall length:  
3121 mm (122.9 in)
- Overall width:  
1626 mm (64.0 in)
- Overall height:  
1834 mm (72.2 in)
- Wheelbase:  
2300 mm (90.6 in)
- Ground clearance:  
330 mm (13.0 in)
- Minimum turning radius:  
6000 mm (236 in)

## Weight:

- Curb weight:  
685.0 kg (1510 lb)

## Noise and vibration level:

- Noise level (77/311/EEC):  
85.8 dB(A) at 4125 r/min (EUR,FRA,GBR)
- Uncertainty of measurement:  
3.0 dB(A) (EUR,FRA,GBR)
- A-weighted sound power level:  
100.0 dB(A) at 4125 r/min (EUR,FRA,GBR)
- Uncertainty of measurement:  
3.0 dB(A) (EUR,FRA,GBR)
- Vibration on seat (EN1032, ISO5008):  
Will not exceed 0.5 m/s<sup>2</sup> (EUR,FRA,GBR)

Uncertainty of measurement:

0.0 m/s<sup>2</sup> (EUR,FRA,GBR)

Vibration on handle (EN1032, ISO5008):

Will not exceed 2.5 m/s<sup>2</sup> (EUR,FRA,GBR)

Uncertainty of measurement:

0.2 m/s<sup>2</sup> (EUR,FRA,GBR)

## Engine:

Engine type:

Liquid cooled 4-stroke, DOHC

Cylinder arrangement:

Inline 3-cylinder

Displacement:

998 cm<sup>3</sup>

Bore × stroke:

80.0 × 66.2 mm (3.15 × 2.61 in)

Compression ratio:

11.3 : 1

Starting system:

Electric starter

Lubrication system:

Dry sump

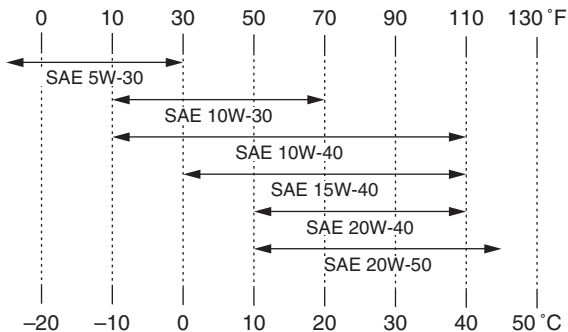
## Engine oil:

Recommended brand:

YAMALUBE

Type:

SAE 5W-30, 10W-30, 10W-40, 15W-40, 20W-40 or 20W-50



Recommended engine oil grade:

API service SG type or higher, JASO standard MA

Engine oil quantity:

Without oil filter cartridge replacement:

2.50 L (2.64 US qt, 2.20 Imp.qt)

With oil filter cartridge replacement:

2.70 L (2.85 US qt, 2.38 Imp.qt)

### Transmission oil:

Recommended brand:

YAMALUBE

Type:

SAE 5W-30, 10W-30, 10W-40, 15W-40, 20W-40 or 20W-50

Recommended engine oil grade:

API service SG type or higher, JASO standard MA

Quantity:

1.50 L (1.59 US qt, 1.32 Imp.qt)

### Final gear oil:

Type:

SAE 80 API GL-4 Hypoid gear oil

Quantity:

0.47 L (0.50 US qt, 0.41 Imp.qt)

### Differential gear oil:

Type:

SAE 80 API GL-4 Hypoid gear oil

Quantity:

0.18 L (0.19 US qt, 0.16 Imp.qt)

### Coolant quantity:

Coolant reservoir (up to the maximum level mark):

0.31 L (0.33 US qt, 0.28 Imp.qt)

Radiator (including all routes):

3.75 L (3.96 US qt, 3.30 Imp.qt)

### Air filter:

Air filter element:

Wet element

Secondary air filter element:

Oil-coated paper element

### Fuel:

Recommended fuel:

Regular unleaded gasoline only

Fuel tank capacity:

34.0 L (8.98 US gal, 7.48 Imp.gal)

### Fuel injection:

Throttle body:

ID mark:

2HC1 00

## Spark plug (s):

Manufacturer/model:

NGK/CR9EB

Spark plug gap:

0.7–0.8 mm (0.028–0.031 in)

## Clutch:

Clutch type:

Wet, multiple-disc

## Transmission:

Primary reduction system:

Spur gear

Primary reduction ratio:

88/53 (1.660)

Secondary reduction system:

Shaft drive

Secondary reduction ratio:

41/22 × 33/9 (6.833)

Transmission type:

Constant mesh 5-speed forward, 1-speed reverse

Operation:

Right hand operation

Reverse gear:

37/15 (2.467)

1st:

35/17 (2.059)

2nd:

34/22 (1.545)

3rd:

31/26 (1.192)

4th:

25/26 (0.962)

5th:

25/31 (0.806)

## Chassis:

Frame type:

Steel tube frame

Caster angle:

6.80 °

Trail:

33.7 mm (1.33 in)

## Front tire:

Type:

Tubeless

Size:

27 x 9.00R-14NHS

Manufacturer/model:

MAXXIS/MU09

## Rear tire:

Type:

Tubeless

Size:

27 x 11.00R-14NHS

Manufacturer/model:

MAXXIS/MU10

## Loading:

Maximum loading limit:

326.0 kg (719 lb)

(Total weight of operator, passenger, cargo, and accessories)

## **Tire air pressure (measured on cold tires):**

Recommended:

Vehicle load:

0 - 195 kg (0 - 430 lb)

Front:

114.0 kPa (1.140 kgf/cm<sup>2</sup>, 16.5 psi)

Rear:

128.0 kPa (1.280 kgf/cm<sup>2</sup>, 18.5 psi)

Vehicle load:

195 kg - maximum (430 lb - maximum)

Front:

114.0 kPa (1.140 kgf/cm<sup>2</sup>, 16.5 psi)

Rear:

169.0 kPa (1.690 kgf/cm<sup>2</sup>, 24.5 psi)

Minimum:

Vehicle load:

0 - 195 kg (0 - 430 lb)

Front:

110.0 kPa (1.100 kgf/cm<sup>2</sup>, 16.0 psi)

Rear:

124.0 kPa (1.240 kgf/cm<sup>2</sup>, 18.0 psi)

Vehicle load:

195 kg - maximum (430 lb - maximum)

Front:

110.0 kPa (1.100 kgf/cm<sup>2</sup>, 16.0 psi)

Rear:

165.0 kPa (1.650 kgf/cm<sup>2</sup>, 24.0 psi)

## **Front wheel:**

Wheel type:

Cast wheel

Rim size:

14 x 6.5AT

## **Rear wheel:**

Wheel type:

Cast wheel

Rim size:

14 x 8.0AT

## **Front brake:**

Type:

Disc brake

Operation:

Unified brake

Specified brake fluid:

DOT 4

## **Rear brake:**

Type:

Disc brake

Operation:

Unified brake

Specified brake fluid:

DOT 4

## **Front suspension:**

Type:

Double wishbone

Spring/shock absorber type:

Coil spring/gas-oil damper

Wheel travel:

410 mm (16.2 in)

## **Rear suspension:**

Type:

Double wishbone

Spring/shock absorber type:

Coil spring/gas-oil damper

Wheel travel:  
432 mm (17.0 in)

**Electrical system:**

Ignition system:  
TCI  
Charging system:  
AC magneto

**Battery:**

Model:  
U1-H11L  
Voltage, capacity:  
12 V, 28.0 Ah

**Bulb voltage, wattage × quantity:**

Headlight:  
LED  
Tail/brake light:  
LED  
Neutral indicator light:  
LED  
Reverse indicator light:  
LED  
Coolant temperature warning light:  
LED  
Engine trouble warning light:  
LED  
Parking brake indicator light:  
LED  
Differential gear lock indicator light:  
LED  
EPS warning light:  
LED

Helmet/Seat belt indicator light:  
14 V, 0.85 W × 2  
Shift timing indicator light:  
LED

**Fuses:**

Main fuse:  
40.0 A  
Fuel injection system fuse:  
15.0 A  
EPS fuse:  
40.0 A  
Headlight fuse:  
15.0 A  
Signaling system fuse:  
10.0 A  
Ignition fuse:  
15.0 A  
Auxiliary DC jack fuse:  
10.0 A  
Backup fuse:  
10.0 A  
Four-wheel-drive motor fuse:  
10.0 A  
Radiator fan motor fuse:  
30.0 A



**For Europe only**

The figures quoted are emission levels and are not necessarily safe working levels. Whilst there is a correlation between the emission and exposure levels, this cannot be used reliably to determine whether or not further precautions are required. Factors that influence the actual level of exposure of work-force include the characteristics of the work room, the other sources of noise, etc. i.e. the number of machines and other adjacent processes, and the length of time for which an operator is exposed to the noise. Also the permissible exposure level can vary from country. This information, however, will enable the user of the machine to make a better evaluation of the hazard and risk.

## CONSUMER INFORMATION

EBU33320

### Identification number records

Record the vehicle identification number and model label information in the spaces provided for assistance when ordering spare parts from a Yamaha dealer or for reference, in case the vehicle is stolen.

VEHICLE IDENTIFICATION NUMBER:

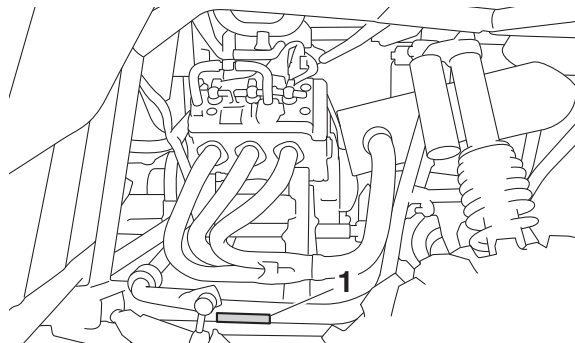
MODEL LABEL INFORMATION:

11

EBU32800

### Vehicle identification number

The vehicle identification number is stamped into the frame.



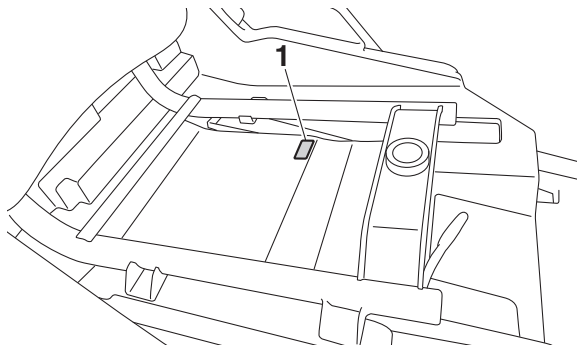
1. Vehicle identification number

The vehicle identification number is used to identify your vehicle.

EBU33331

### Model label

The model label can be found under the driver seat. Record the information on this label in the space provided. This information will be needed to order spare parts from your Yamaha dealer.



1. Model label

# INDEX

## A

Accelerator pedal .....	4-16
Accelerator pedal, checking .....	8-48
Accelerator pedal, Pre-operation check .....	5-7
Air filter .....	8-37
Air filter case hoses, cleaning .....	8-41
Auxiliary DC jack .....	4-38
Axle boots .....	8-34

## B

Basic guide for safe use .....	7-1
Battery, Periodic maintenance .....	8-55
Brake and clutch fluid levels, checking .....	8-45
Brake fluid, replacing .....	8-47
Brake light switch, adjusting .....	8-50
Brake pedal .....	4-17
Brake pedal, checking .....	8-47
Brakes, Periodic maintenance .....	8-43
Brakes, Pre-operation check .....	5-3

## C

Cable, inspecting and lubrication .....	8-50
Cargo bed .....	4-27
Cleaning .....	9-1
Clutch pedal .....	4-17
Clutch pedal, checking .....	8-47
Clutch, Pre-operation check .....	5-3
Control cables, Pre-operation check .....	5-8
Coolant, Periodic maintenance .....	8-33
Coolant, Pre-operation check .....	5-6
Coolant temperature warning light .....	4-4

Cup holders .....	4-26
-------------------	------

## D

Differential gear lock indicator light .....	4-3
Differential gear oil, Periodic maintenance .....	8-30
Differential gear, Pre-operation check .....	5-7
Doors .....	4-20
Drive mode, selecting .....	6-7
Driver seat position .....	4-22
Drive shaft universal joint, lubrication .....	8-53
Drivetrain icon .....	4-3

## E

Engine break-in .....	6-1
Engine oil and oil filter, Periodic maintenance .....	8-15
Engine oil, Pre-operation check .....	5-5
Engine trouble warning light .....	4-5
EPS warning light .....	4-5

## F

Final gear oil, Periodic maintenance .....	8-28
Final gear, Pre-operation check .....	5-6
Fittings and fasteners, Pre-operation check .....	5-8
Flag pole bracket .....	4-28
Front and rear brake pads, checking .....	8-44
Fuel, Pre-operation check .....	5-4
Fuel tank cap .....	4-19
Fuse, replacing .....	8-60

## G

Glove compartment .....	4-23
-------------------------	------

## H

Headlight beam, adjusting .....	8-63
Headlights .....	8-62
Helmet indicator light .....	4-6

Hood .....	8-10
<b>I</b>	
Identification number records .....	11-1
Indicator lights and warning lights .....	4-2
Instruments, lights and switches, Pre-operation check .....	5-8
<b>J</b>	
Jump-starting .....	8-59
<b>L</b>	
Label locations .....	1-1
Light switch .....	4-15
Loading .....	6-9
<b>M</b>	
Main switch .....	4-1
Maintenance and lubrication chart .....	8-6
Maintenance chart, emission control system .....	8-4
Model label .....	11-1
Multi-function meter unit .....	4-6
<b>N</b>	
Neutral indicator light .....	4-2
<b>O</b>	
On-Command drive knob .....	4-15
Owner's manual and tool kit .....	8-2
<b>P</b>	
Panels .....	8-10
Parking .....	6-9
Parking brake indicator light .....	4-3
Parking brake lever .....	4-18
Parking brake lever free play, adjusting .....	8-49
Parking brake pads, checking .....	8-44
Passenger handhold, Pre-operation check .....	5-7

Pedal, lubrication .....	8-51
<b>R</b>	
Rear knuckle upper and lower pivot, lubrication .....	8-53
Reverse gear lock lever .....	4-16
Reverse indicator light .....	4-2
<b>S</b>	
Safety information .....	2-1
Seat belt indicator light .....	4-6
Seat belts .....	4-23
Seat belts, Pre-operation check .....	5-7
Seats .....	4-20
Shift lever .....	4-19
Shift lever operation and reverse driving .....	6-3
Shift lever, Pre-operation check .....	5-8
Shift timing indicator light .....	4-3
Shock absorber assemblies, adjusting the front .....	4-28
Shock absorber assemblies, adjusting the rear .....	4-33
Spark arrester, cleaning .....	8-42
Spark plugs, checking .....	8-35
Specifications .....	10-1
Stabilizer bushes, checking .....	8-51
Starting the engine .....	6-2
Steering, Pre-operation check .....	5-7
Steering shaft, lubrication .....	8-53
Steering wheel position .....	4-22
Storage .....	9-2
Storage compartments .....	4-24
<b>T</b>	
Tail/brake light .....	8-63
Tire, replacing .....	8-54
Tires, Pre-operation check .....	5-8
Transmission oil .....	8-25

Transmission, Pre-operation check .....	5-6
Troubleshooting .....	8-63
Troubleshooting charts .....	8-65
<b>U</b>	
Upper and lower arm pivot, lubrication .....	8-52
<b>V</b>	
Valve clearance .....	8-43
Vehicle identification number .....	11-1
<b>W</b>	
Wheel installation .....	8-55
Wheel removal .....	8-54



Original instructions



PRINTED IN USA  
2015.10-0.3x1 CR  
(E)